

IMPORTANT INFORMATION

- ▲ Rated load is 660 pounds. **Never exceed rated load.**
- ▲ Read and follow all labels, instructions, safety and maintenance information before use.
- ▲ For additional care, use or safety information, or to obtain replacement copies, please visit www.ezaccess.com.
- ▲ To select the ramp length, an incline chart is provided on the reverse side of this document. However, it is intended only as a guideline. Refer to your equipment's (wheelchair or scooter) Owner Guide for the proper degree of incline/decline and chair direction before attempting ramp use. **Never exceed its recommendations.**
- ▲ Do not use if ramp is damaged or unstable.
- ▲ For wheelchairs and scooters only (not intended for commercial use).
- ▲ Ramp may be slippery when wet or icy.
- ▲ Use only if sufficient maneuvering room is available at both ends of the ramp to assure safe travel when entering and exiting the ramp.
- ▲ Use ramp only with a qualified helper and always use your lap belt.
- ▲ Ensure top lip transition (labeled TOP) is secure before using ramp. To prevent ramp from becoming dislodged during use, ensure that the top lip transition fully overlaps and is in full contact with the resting surface (FIG. 1).
- ▲ The supporting surfaces need to be substantial and of sound construction.
- ▲ Move and keep wheels within the yellow lines of the ramp curb.
- ▲ Be sure only the wheels of the wheelchair contact the ramp surface. Other parts may cause damage to the anti-slip surface.
- ▲ Store ramp indoors after use.
- ▲ Store ramp upright when not in use.

INSTALLATION

1. Ramp is shipped fully assembled.
2. Place ramp on landing in the folded position, making sure that the top lip transition (labeled TOP) is resting securely on the landing (FIG. 2).
 - ▲ The "TOP" label is placed on the underside of the 29 & 35-IN ramps, and on the outer curb of the 51, 67, & 85-IN ramps.
 - ▲ The useable ramp surface has an anti-slip treatment. Do not mistake the surface for the back.
3. Unfold ramp and center on landing (FIG. 3).
4. Ensure top lip transition is secure before using ramp (FIG. 1).

SAFETY & MAINTENANCE

Regularly check ramp for damage. Keep ramp surface clear of ice, snow, dirt, leaves, and other debris. For snow/ice, remove accumulation and sweep the surface clean. To remove dirt, leaves, and other debris, sweeping the surface or using a garden hose will usually suffice, but, if needed, use a damp cloth or soft brush with non-alkaloid detergent and water. Rinse well and use extra caution if ramp surface is wet.

OPTIONAL ACCESSORY

Facilitate the handling and transportation of the 29-IN SUITCASE® SINGLEFOLD GF Ramp with the optional Carry Bag. This handy accessory safely fits on the back of a wheelchair.

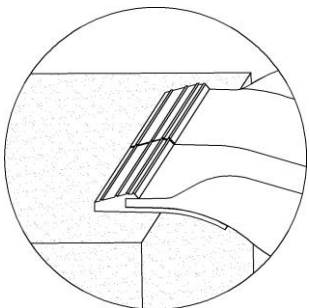


FIG. 1

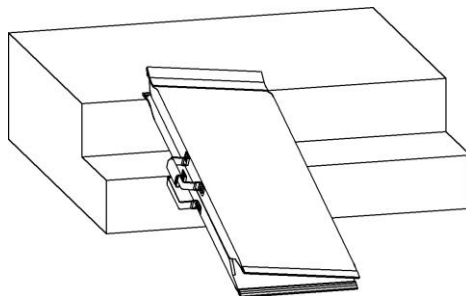


FIG. 2

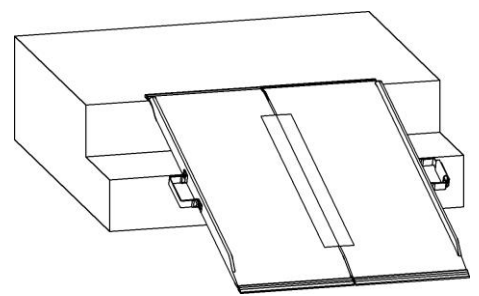


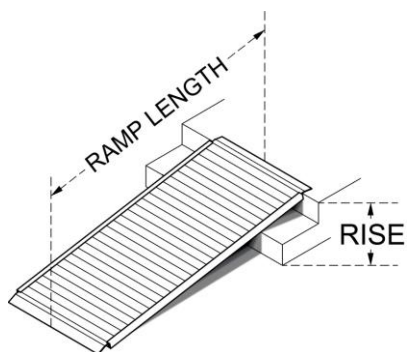
FIG. 3

INCLINE CHART



RISE	RAMP LENGTH									
	2'	3'	4'	5'	6'	7'	8'	9'	10'	
3"	7.2°	4.8°	3.6°	2.9°	2.4°	2.0°	1.8°	1.6°	1.4°	
4"	9.6°	6.4°	4.8°	3.8°	3.2°	2.7°	2.4°	2.1°	1.9°	
5"	12°	8.0°	6.0°	4.8°	4.0°	3.7°	3.0°	2.7°	2.4°	
6"	14.5°	9.6°	7.2°	5.7°	4.8°	4.1°	3.6°	3.2°	2.9°	
7"		11.2°	8.4°	6.7°	5.6°	4.8°	4.2°	3.7°	3.3°	
8"		12.8°	9.6°	7.7°	6.4°	5.5°	4.8°	4.2°	3.8°	
9"		14.5°	10.8°	8.6°	7.2°	6.2°	5.4°	4.8°	4.3°	
10"			12.0°	9.6°	8.0°	6.8°	6.0°	5.3°	4.8°	
12"			14.5°	11.5°	9.6°	8.2°	7.2°	6.4°	5.7°	
14"				13.5°	11.2°	9.6°	8.4°	7.4°	6.7°	
16"					12.8°	11.0°	9.6°	8.5°	7.7°	
18"					14.5°	12.4°	10.8°	9.6°	8.6°	
20"						13.8°	12.0°	10.7°	9.6°	
22"							13.2°	11.8°	10.6°	
24"							14.5°	12.8°	11.5°	
26"								13.9°	12.5°	
28"								15.0°	13.5°	
30"									14.5°	

IMPORTANT: Refer to your equipment's (wheelchair or scooter) Owner Guide for the proper degree of incline/decline and chair direction before attempting ramp use. Never exceed its recommendations.



TO ESTABLISH THE PROPER RAMP LENGTH:

- Determine the incline that your chair is designed to climb.
- Measure the rise (distance from the top step, porch, van, etc. to the ground).
- Refer to Incline Chart to find proper ramp length.
- At any incline, use ramp only with a qualified helper.

LIFETIME WARRANTY. Please register at www.ezaccess.com/warranty-satisfaction. CE Technical Files kept at: V. Guldmann A/S, Grahns Bells Vej 21-23A, DK-8200 Aarhus N, Denmark © EZ-ACCESS®, a division of Homecare Products, Inc. All rights reserved. All text and images contained in this document are proprietary and may not be shared, modified, distributed, reproduced, or reused without the express written permission of EZ-ACCESS.

