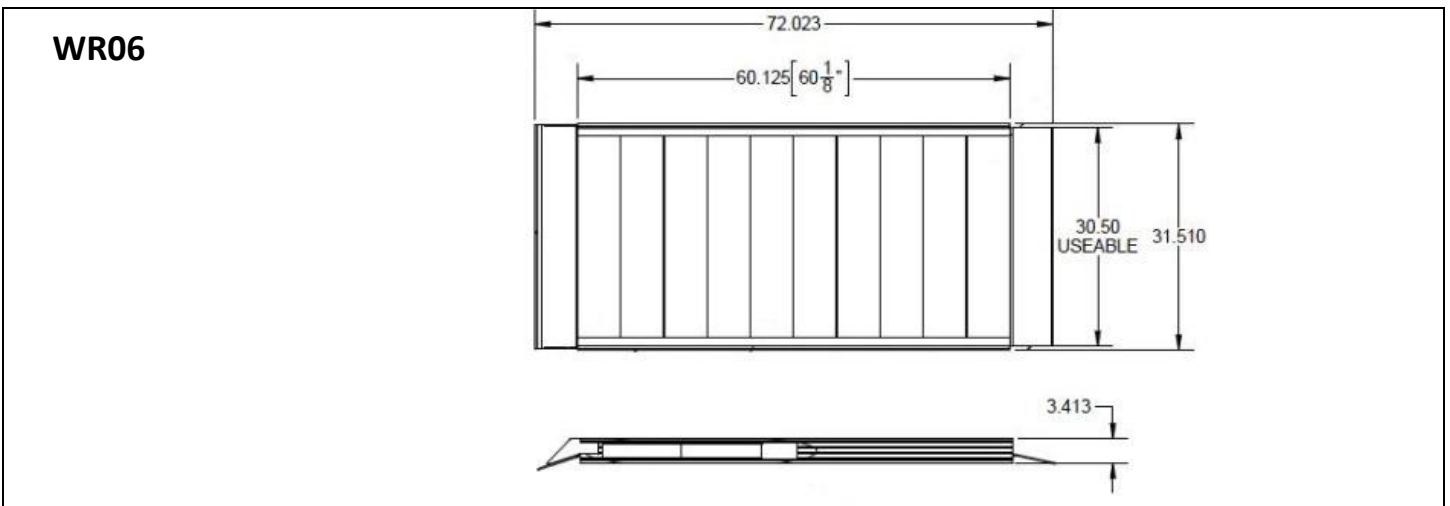
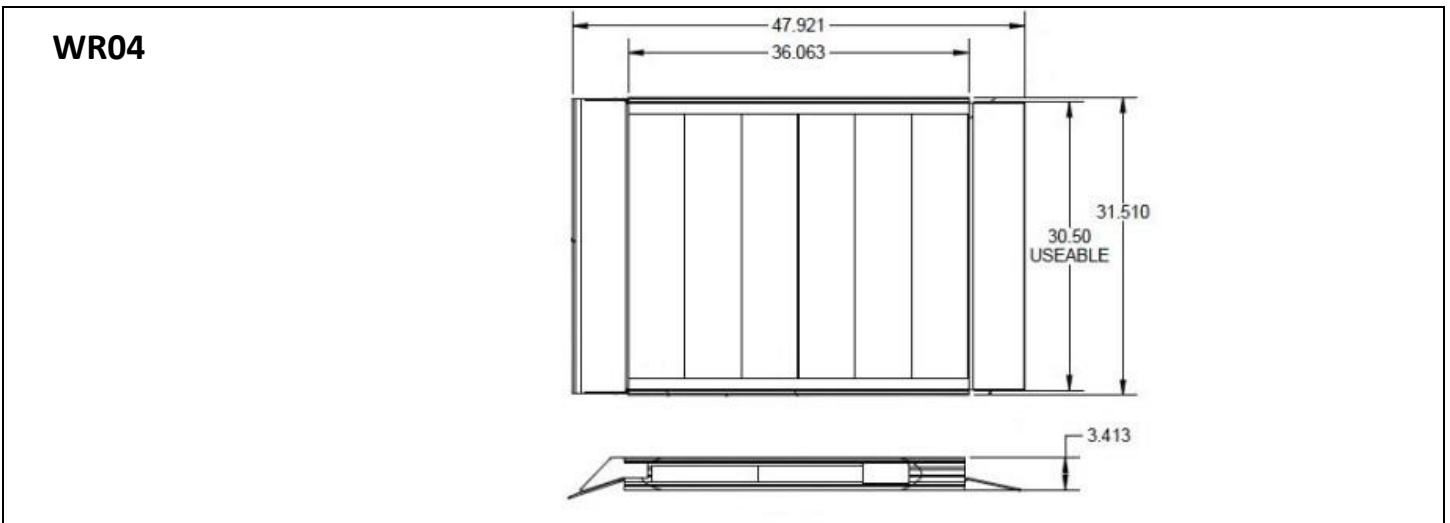




TRAVERSE™ Walk Ramp Technical Specifications

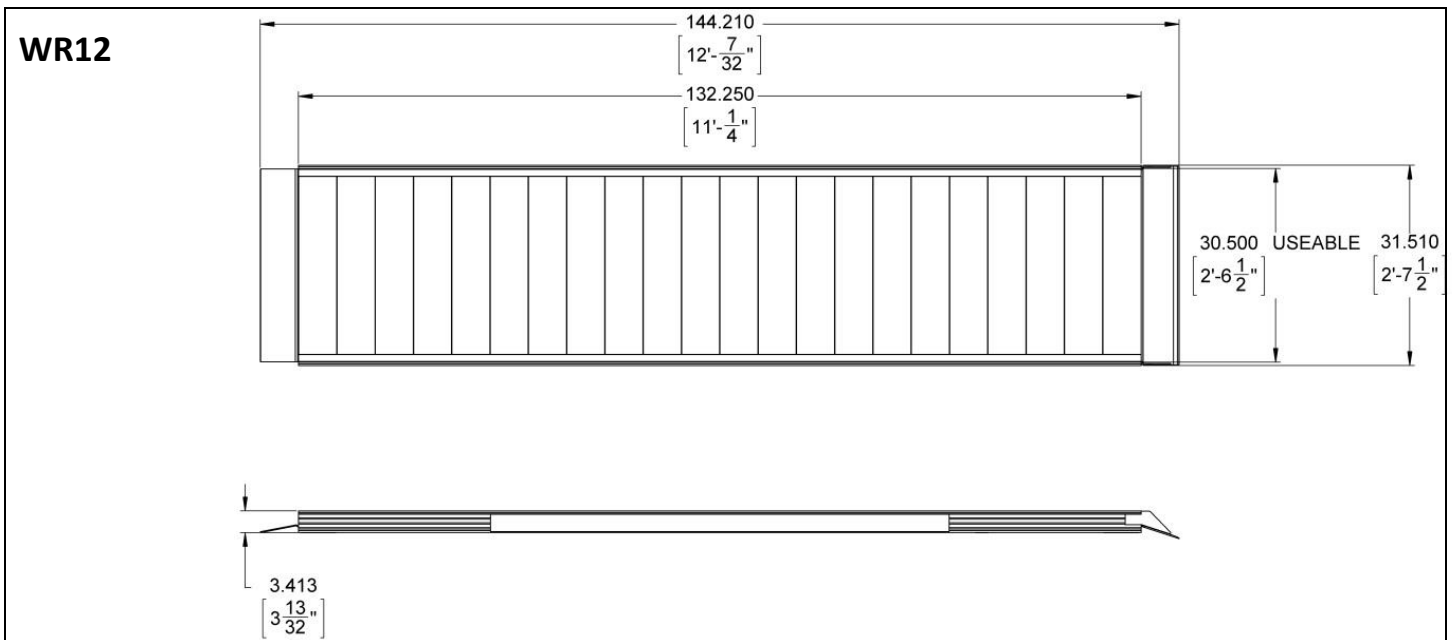
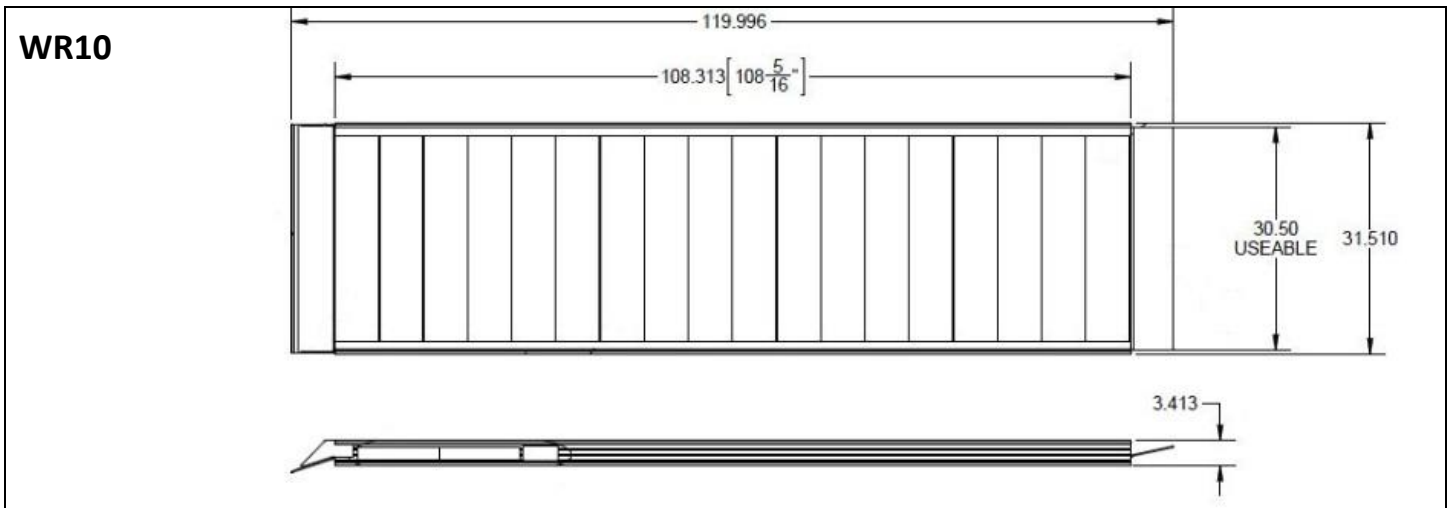
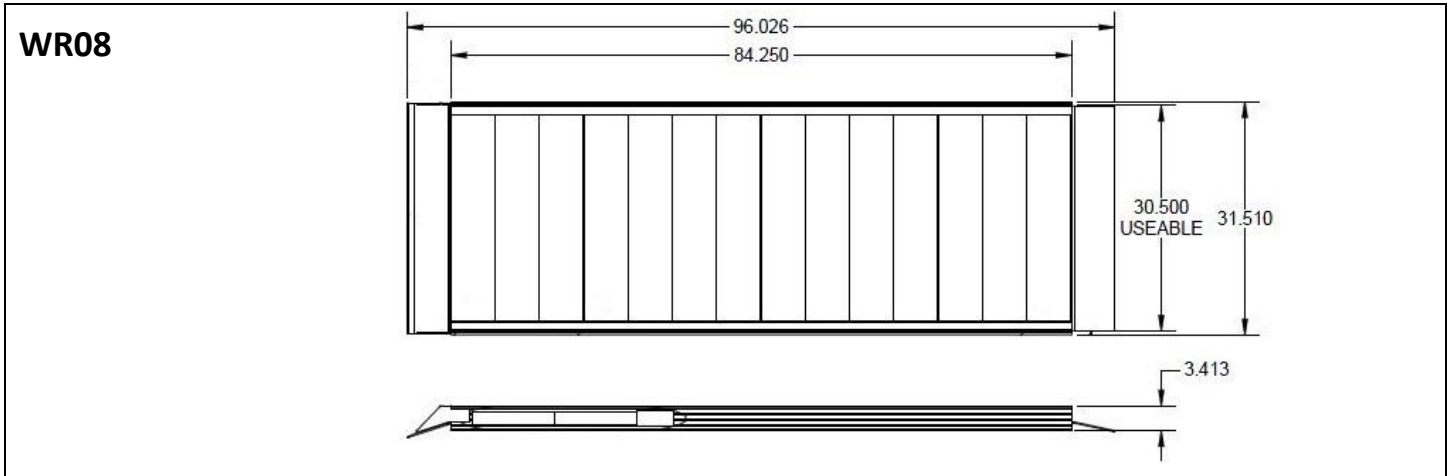
MODEL	TRAVERSE WR04	TRAVERSE WR06	TRAVERSE WR08	TRAVERSE WR10	TRAVERSE WR12	TRAVERSE WR14
USEABLE WIDTH	30.5"	30.5"	30.5"	30.5"	30.5"	30.5"
RATED LOAD (DO NOT EXCEED)	1,200 lbs.	1,200 lbs.	1,200 lbs.	1,200 lbs.	850 lbs.	850 lbs.
OVERALL LENGTH	47.921"	72.023"	96.026"	119.996"	144.210"	168.210"
OVERALL WIDTH	31.510"	31.510"	31.510"	31.510"	31.510"	31.510"
OVERALL HEIGHT	3.413"	3.413"	3.413"	3.413"	3.413"	3.413"
OVERALL TOP LIP TRANSITION PLATE (L x W)	5.92" x 31.25"	5.92" x 31.25"	5.92" x 31.25"	5.92" x 31.25"	5.92" x 31.25"	5.92" x 31.25"
OVERALL BOTTOM TRANSITION PLATE (L x W)	5.59" x 30.38"	5.59" x 30.38"	5.59" x 30.38"	5.59" x 30.38"	5.59" x 30.38"	5.59" x 30.38"
WEIGHT	33 lbs.	49 lbs.	60 lbs.	74 lbs.	94 lbs.	108 lbs.
WARRANTY	3 years	3 years	3 years	3 years	3 years	3 years

Weights and dimensions are approximate and subject to change.





TRAVERSE™ Curbside Loading Ramp Technical Specifications





TRAVERSE™ Curbside Loading Ramp Technical Specifications

