



# TILT® Toilet Incline Lift Technical Specifications

## TECHNICAL INFO

|                               |   |
|-------------------------------|---|
| <b>APPLICATION:</b>           | Residential   |
| <b>OPERATION:</b>             | Unit lifts & lowers users to and from commode   |
| <b>U.S. PATENT:</b>           | 6,385,797   |
| <b>MOUNTING:</b>              | Bolted directly to bowl   |
| <b>WEIGHT CAPACITY:</b>       | 325 lbs.  |
| <b>ACTIVATION:</b>            | Wired, push button control with 9-foot coil cord  |
| <b>REQUIRED POWER:</b>        | 120VAC 60Hz   |
| <b>ELECTRICAL:</b>            | 10-foot power cord  |
| <b>MOTOR:</b>                 | 24VDC   |
| <b>CYCLE TIME:</b>            | Approximately 15 – 20 seconds to lift/lower   |
| <b>DUTY CYCLE:</b>            | 10%, Max. 2min./18 min.   |
| <b>DIMENSIONS:</b>            | 24" W x 18" H x 24" D (approx.)   |
| <b>WEIGHT:</b>                | 34 lbs.   |
| <b>FRAME MATERIAL/FINISH:</b> | Powder coated steel   |
| <b>WARRANTY:</b>              | 2-Year Limited. Visit <a href="http://www.ezaccess.com">www.ezaccess.com</a> for complete warranty details. |
| <b>RETURNS:</b>               | For hygienic reasons, this item is non-returnable   |

## TOILET SEAT

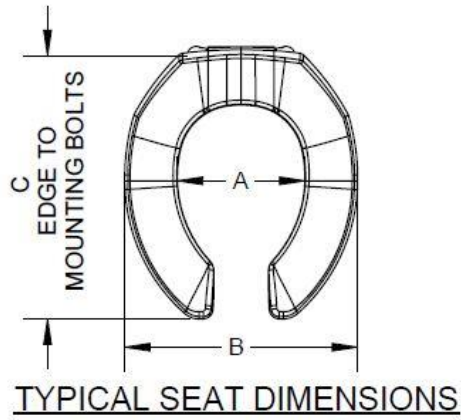
|                             |  |  |
|-----------------------------|--|--|
| <b>STYLE:</b>               | Round, open front                        | Elongated, open front                    |
| <b>SEAT MATERIAL/COLOR:</b> | Injection molded plastic/white           | Injection molded plastic/white           |
| <b>BUMPERS:</b>             | Two                                      | Four                                     |
| <b>HINGES:</b>              | Plastic, non-self-sustaining             | Plastic, non-self-sustaining             |
| <b>POSTS &amp; PINTLES:</b> | Non-corrosive 300 series stainless steel | Non-corrosive 300 series stainless steel |

*Weights and dimensions are intended for reference only. They are approximate and subject to change. Please consult EZ-ACCESS for certified drawings. Refer to instruction manual for complete information on rated load and proper usage.*

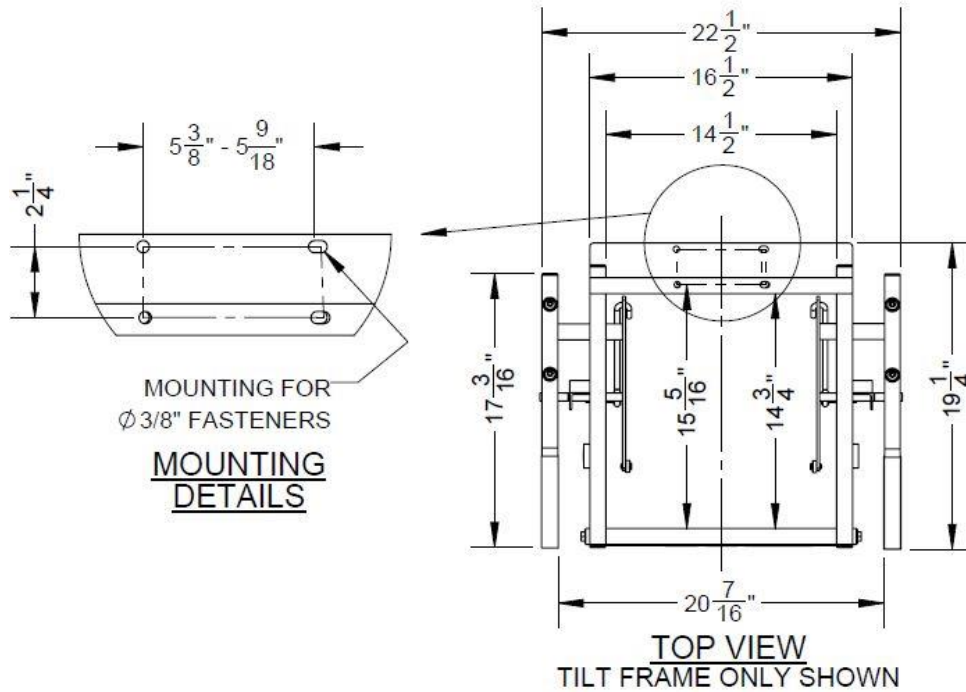
| REFERENCE | DESCRIPTION                             |  |
|-----------|---|--|
| 1         | PLASTIC SHIELD - REMOVABLE              |  |
| 2         | TOILET SEAT – STANDARD SEAT SHOWN       |  |
| 3         | HANDLES WITH FOAM GRIP                  |  |
| 4         | LINEAR ACTUATOR – MOUNTED TO TILT FRAME |  |
| 5         | 120V AC CONTROL BOX                     |  |
| 6         | PUSH BUTTON CONTROL – HANDHELD DEVICE   |  |



# TILT® Toilet Incline Lift Technical Specifications

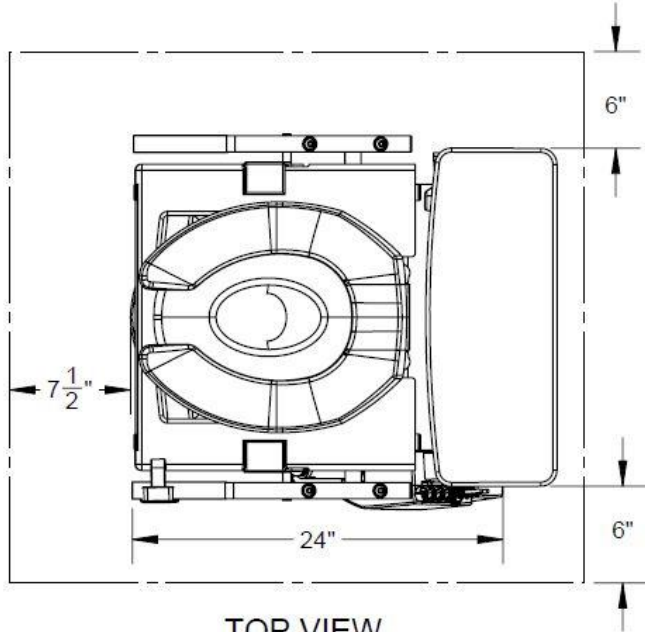


|   | Standard Seat | Elongated Seat |
|---|---------------|----------------|
| A | 7 3/4"        | 7 13/16"       |
| B | 14 1/4"       | 14 1/4"        |
| C | 16 3/16"      | 18 3/8"        |

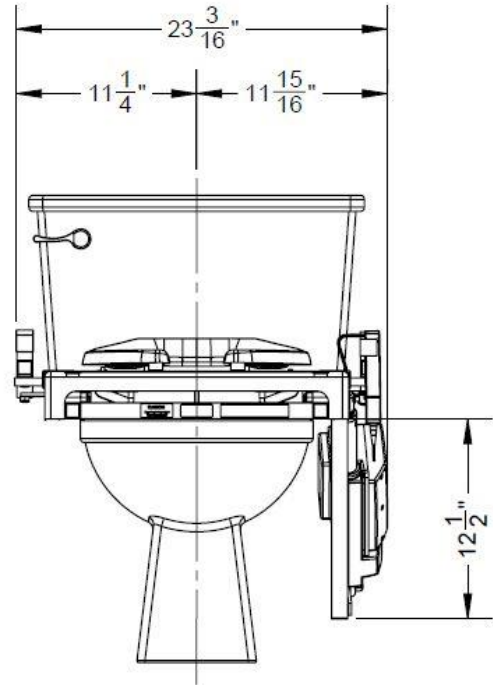




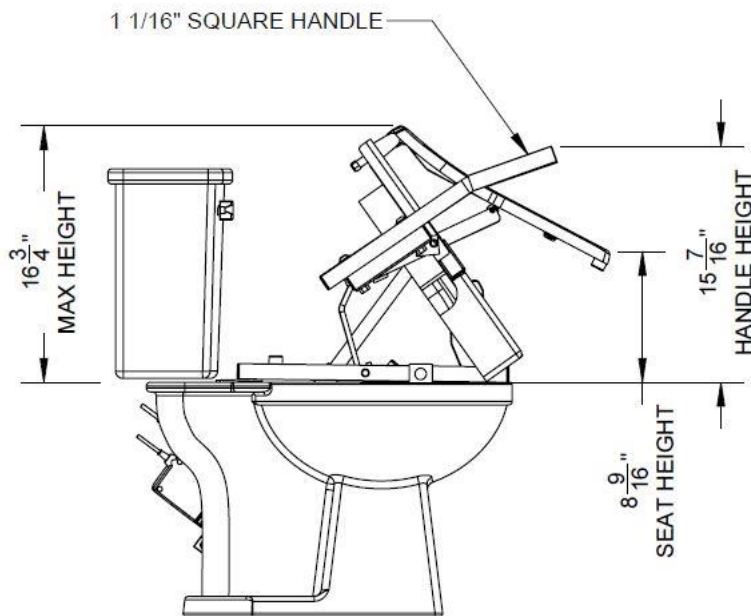
# TILT® Toilet Incline Lift Technical Specifications



**TOP VIEW**  
NECESSARY CLEARANCE  
FOR OPERATION



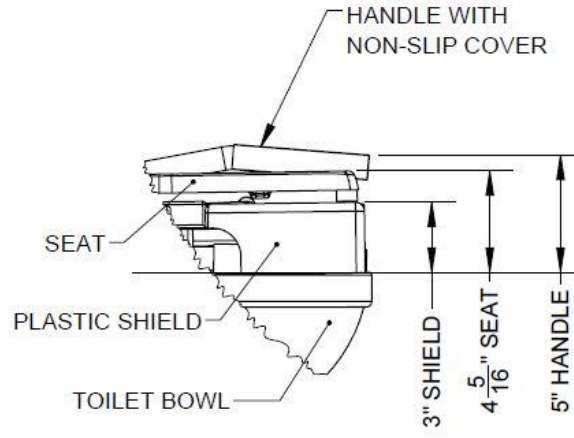
**FRONT VIEW**  
RETRACTED POSITION



**LEFT SIDE VIEW**  
DIMENSIONS SHOWN FROM TOP OF BOWL



# TILT® Toilet Incline Lift Technical Specifications



**CLOSE UP VIEW**  
DIMENSIONS SHOWN FROM TOP OF BOWL  
TILT IN LOWER POSITION