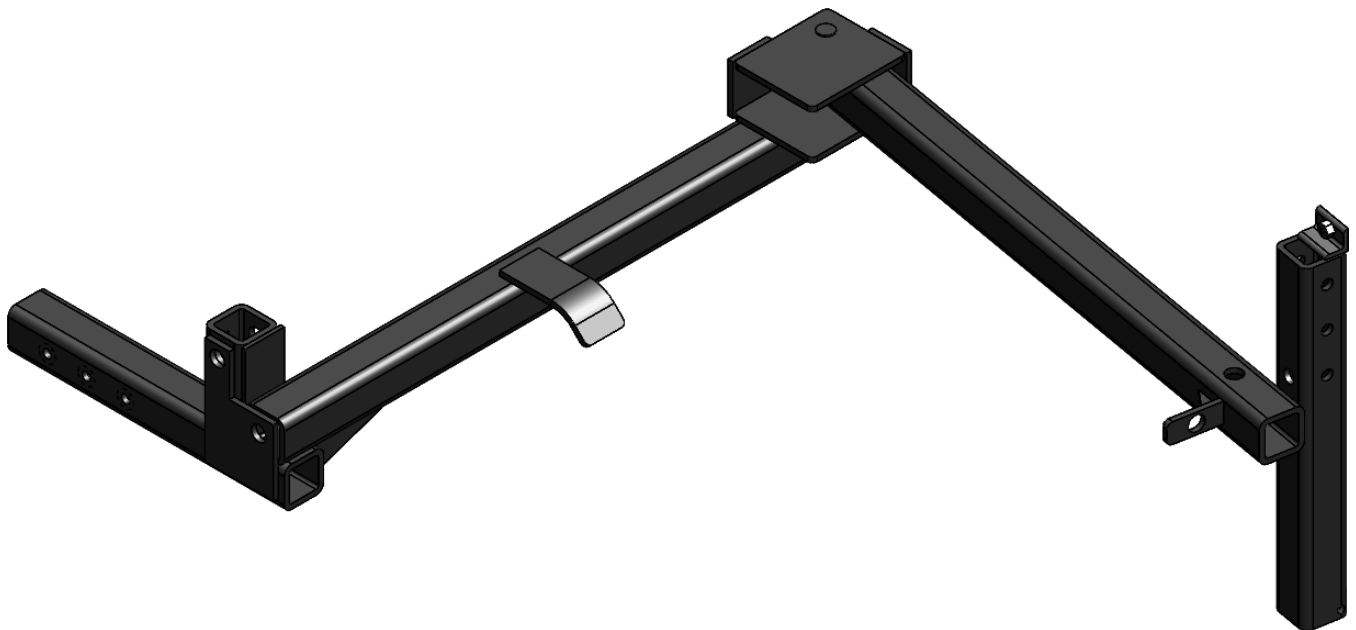
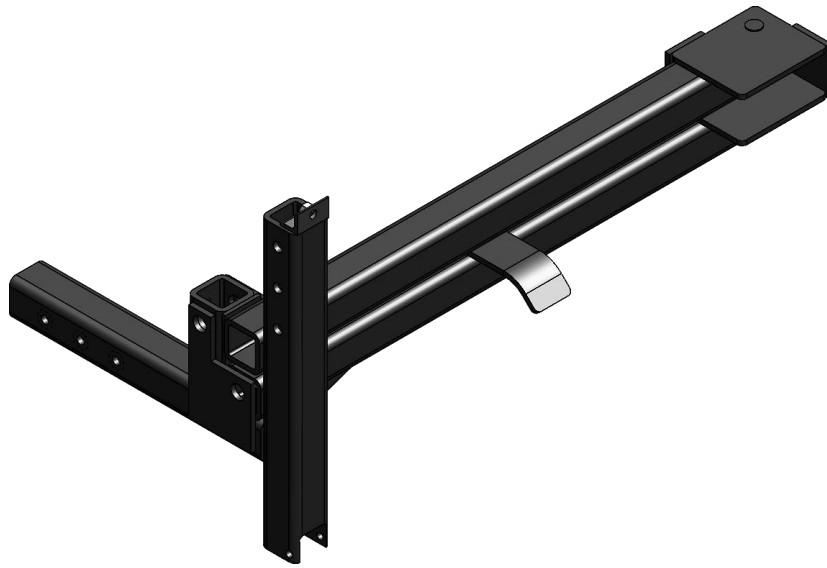


---

# Installation & User Manual

## HAULWAY® Swingaway



1-YEAR WARRANTY. Please register at [www.ezaccess.com/warranty-satisfaction](http://www.ezaccess.com/warranty-satisfaction).  
© Homecare Products, Inc. All rights reserved. All text and images contained in this document are proprietary and may not be shared, modified, distributed, reproduced, or reused without the express written permission of EZ-ACCESS®, a division of Homecare Products, Inc.



Manufactured in the USA





15062 REV 04-04-17

## **TABLE OF CONTENTS**





SYMBOL MEANINGS .....	2
INTRODUCTION, IMPORTANT INFORMATION, & WARNINGS! .....	2
SHIPPING CONTENTS AND TOOLS TYPICALLY NEEDED .....	3
IDENTIFYING YOUR SWINGAWAY .....	4
CHOOSING THE CORRECT SWINGAWAY .....	4
ATTACHING THE SWINGAWAY TO THE HAULWAY .....	5
ATTACHING SWINGAWAY TO VEHICLE .....	6
ATTACHING ELECTRICAL CONNECTORS TO SWINGAWAY .....	7
SWINGAWAY OPERATION .....	8
OPENING AND CLOSING THE SWINGAWAY .....	9

## **SYMBOL MEANINGS**

-  The **WARNING** symbol indicates a potentially hazardous condition/situation. The safety warnings throughout this manual, and on your equipment, if any, are for the protection of people and property. Failure by any operator to abide by safety warnings will result in a waiver of all liabilities, loss of your warranty, and could result in equipment damage and or failure, property damage, risk of serious bodily injury, and or death. The symbol may appear in various colors and in conjunction with other symbols and with or without the written word “WARNING”.
-  The **NOTE** symbol indicates important information. Failure to obey all notes could result in improper operation, less-than-optimum equipment performance, and at the sole discretion of the equipment manufacturer, may void your warranty. The symbol may appear in various colors and in conjunction with other symbols.

## **INTRODUCTION, IMPORTANT INFORMATION & WARNINGS**

The HAULWAY SWINGAWAY enables full access to the vehicles tailgate, rear door, or cargo area. If rear cargo access is not a concern, you will need an L-tube. The SWINGAWAY is available in Class III only.

-  For additional installation and operation information, please call 1-800-451-1903. To obtain additional copy of instructions, please visit [www.ezaccess.com](http://www.ezaccess.com).
-  Throughout this manual, the HAULWAY SWINGAWAY may be referred to as the “HAULWAY SWINGAWAY” or the “SWINGAWAY”.
-  The SWINGAWAY works with all HAULWAY products.
-  Drive slowly and carefully when transporting mobility equipment. Extreme caution must be used when negotiating turns, curves, hills, potholes, road bumps, railroad tracks, and other potential road hazards; excessive shaking/jarring of the HAULWAY SWINGAWAY may cause equipment and vehicular damage and result in dangerous conditions for those on and near the road.

- ⚠ Each HAULWAY SCOOTER AND POWER CHAIR LIFT has a rated load. NEVER EXCEED THE RATED LOAD FOR YOUR HAULWAY PRODUCT. Check your HAULWAY SCOOTER AND POWER CHAIR LIFT installation manual for additional information, or call 800-451-1903, or visit us at [www.ezaccess.com](http://www.ezaccess.com).
- ⚠ Prior to use, read, understand, and follows all labels, installation instructions, and warnings!
- ⚠ Professional installation is recommended. Automotive electrical installations should be performed only by properly trained technicians; consult your dealer for additional information and assistance.
- ⚠ Disconnect the vehicle battery before you begin installation.
- ⚠ “Hot” (positive) on the HAULWAY SWINGAWAY license plate lamp is the white wire; your vehicle wiring may be different. Reversing polarities will result in an unsafe and potentially hazardous, situation. Is this applicable to this manual?
- ⚠ “Ground” (negative) on the HAULWAY SWINGAWAY license plate lamp is the black wire; your vehicle wiring may be different. Reversing these polarities will result in an unsafe and potentially hazardous, situation.
- ⚠ If at any time during installation or use, you feel unsure about what to do, stop and call your HAULWAY dealer for assistance, or call 800-451-1903.
- ⚠ Use HAULWAY SWINGAWAY only with a qualified helper.
- ⚠ To enhance your product experience, you agree to install retrofit components as EZ ACCESS may provide in the future.
- ⚠ Before each use, check and confirm that the HAULWAY SWINGAWAY is correctly installed and functioning properly. Inspect for damage, loose fitting fasteners and parts and damaged wiring. If any such items are noted, DO NOT USE and contact your dealer right away.
- ⚠ Before each use, ensure all locking mechanisms are in place and fully functional.

## **SHIPPING CONTENTS**

Immediately open shipping box(es) and inspect for damage or missing parts. If damaged or missing parts are noted, DO NOT INSTALL OR USE the lift.

Ensure you received all components listed below. If you receive an incomplete delivery, please call us at 1-800-451-1903 for further instructions.

<b>QTY.</b>	<b>STANDARD PART DESCRIPTION</b>
1	PRE-WIRED SWINGAWAY
1	HARDWARE BAG
1	INSTALLATION AND USER MANUAL

## **INSTALLATION HARDWARE (SUPPLIED ITEM LIST)**

<b>QTY.</b>	<b>STANDARD PART DESCRIPTION</b>
1	1/2"-13 X 3-1/2" BOLT, FULLY THREADED
1	1/2"-13 LOCKNUT

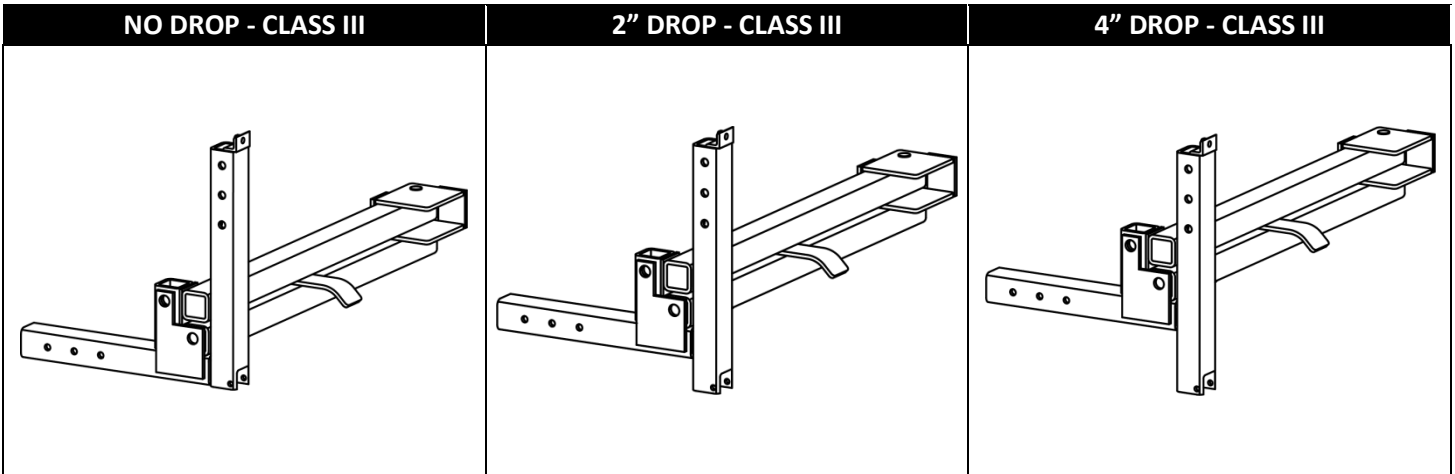
## **TOOLS TYPICALLY NEEDED**

- ✓ WRENCH OR SOCKET (1/2")
- ✓ TORQUE WRENCH (UP TO 75 FT. LBS.)

## IDENTIFYING YOUR SWINGAWAY

⚠ Before installing the HAULWAY, check your vehicle's owner manual for towing capacities. NEVER exceed the towing capacity and tongue weights of your vehicle.

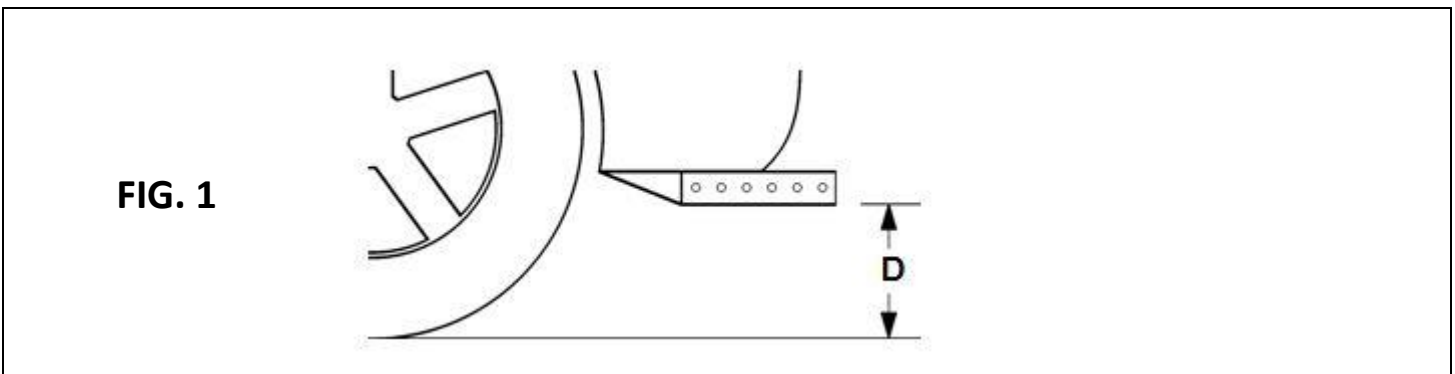
The SWINGAWAY is offered in NO DROP, 2" DROP, and 4" DROP with RIGHT hand swing (shown below). It is also offered in a NO DROP with LEFT hand swing (not shown), which opens on the opposite side of those shown below. Assembly and usage for the LEFT and RIGHT will be the same; the swing will be the only difference.



## CHOOSING THE CORRECT SWINGAWAY

1. Determine you have the proper SWINGAWAY by measuring the distance (D) from ground to the bottom of the receiver hitch (FIG. 1). There are 3 adjustment holes in the SWINGAWAY. It is critical to the lift function that it be mounted in the correct hole.
  - a. If distance (D) is 10 – 12 inches, use the upper hole.
  - b. If distance (D) is 13 – 14 inches, use the center (middle) hole.
  - c. If distance (D) is 15 – 17.5 inches, use the lower hole.
  - d. If distance (D) is between 17.5"-19.5" use a 2-inch drop SWINGAWAY.
  - e. If distance (D) is between 19.6"-21.5" use a 4-inch drop SWINGAWAY.

⚠ The motor that is supplied with the HAULWAY® Standard Scooter & Power Chair Lift is regulated by a clutch. If the height is exceeded, the lift may not reach the ground. If the lift is set too low, it may not allow the fold up lever to engage properly.



## 1. ATTACHING THE SWINGAWAY TO THE HAULWAY

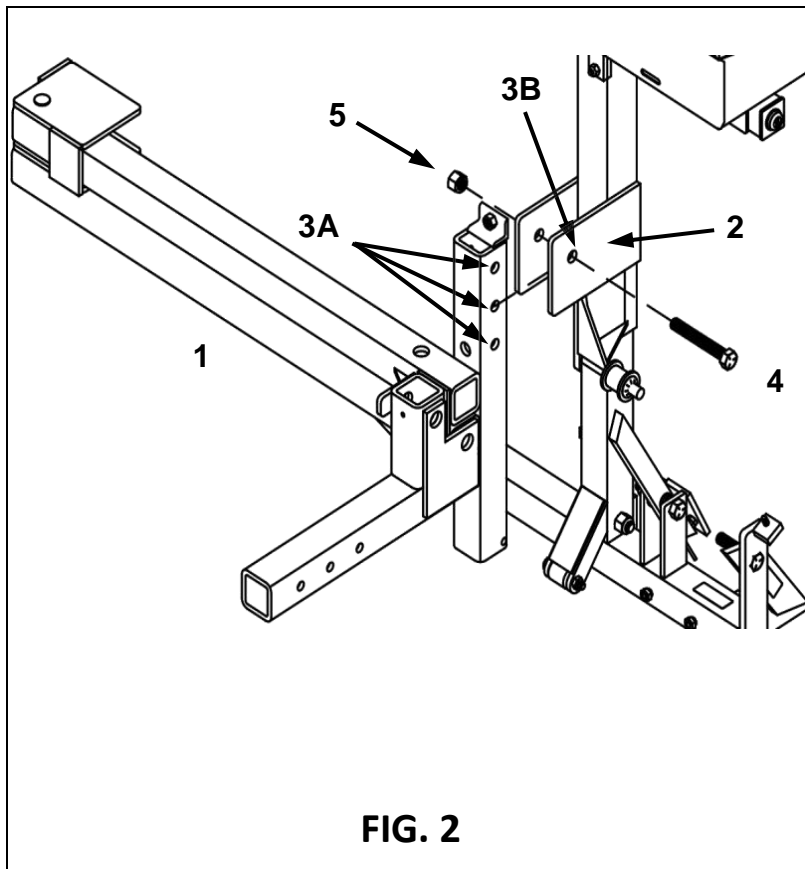


FIG. 2

⚠ Prior to installing the SWINGAWAY, the vehicle and hitch must be inspected to ensure the vehicle is in proper condition to safely use the HAULWAY SWINGAWAY. Consult your auto manufacture, hitch dealer, and HAULWAY SWINGAWAY dealer for additional information.

1.1 Slide SWINGAWAY (FIG 2, item 1) into bracket (FIG. 2, item 2); align one of the holes (FIG. 2, item 3A) with the hole (3B).

1.2 Insert 1/2"-13 x 3 1/2" bolt (FIG. 2, item 4) through bracket and SWINGAWAY.

⚠ Insert bolt into the proper adjustment hole in your SWINGAWAY., as previously determined in the "CHOOSING THE CORRECT SWINGAWAY" section.

1.3 Install on the 1/2"-13 locknut (FIG. 2, item 5) onto bolt (FIG. 2, item 4) and tighten to a point which allows the mast to freely swivel on the SWINGAWAY.

⚠ CRITICAL PIVOT POINT, DO NOT OVERTIGHTEN.

## 2. ATTACHING SWINGAWAY TO VEHICLE

2.1 Insert SWINGAWAY (FIG. 3, item 1) into the vehicle's receiver (FIG. 3, item 2) until one of the pre-drilled holes in the receiver (FIG. 3, item 5) aligns with one of the holes in the SWINGAWAY (FIG. 3, item 3).

⚠ When aligning holes, make sure to keep the SWINGAWAY as close to the bumper as possible, while still allowing the fold up lever (FIG. 3, item 6) to operate without interfering with the bumper (you will need approximately 1-1/4" for typical vehicles, but check with your specific vehicle to be sure).

2.2 Once the SWINGAWAY has been properly located in the receiver, insert the 1/2"-13 x 2-1/2" fully threaded bolt (FIG. 3, item 7) and turn bolt clockwise to thread into the SWINGAWAY.

⚠ One end of the through holes on the SWINGAWAY tube is threaded (FIG. 4, item 3). This is to ensure the SWINGAWAY draws up tightly to the vehicle receiver (FIG. 4, item 5) when tightened. Once tightened, note that there is no gap on the bolt end (FIG. 4, item 6) and slight gap on opposite end (FIG. 4, item 7).

2.3 Install locknut (FIG. 3, item 4) and (FIG. 4, item 8) onto bolt end and tighten to 60 ft. lbs.

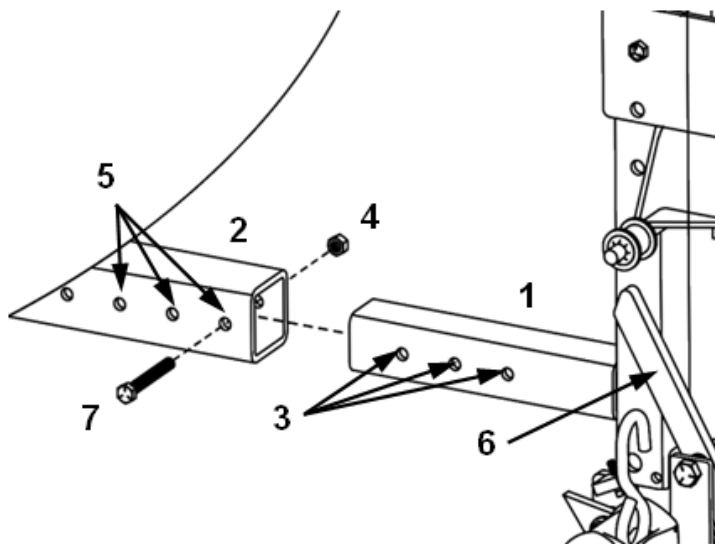


FIG 3. QUICK REFERENCE

1. SWINGAWAY
2. Vehicle Receiver
3. Pre-Drilled Threaded Holes
4. Locknut
5. Pre-drilled Holes
6. Fold Up lever
7. Bolt

FIG. 3

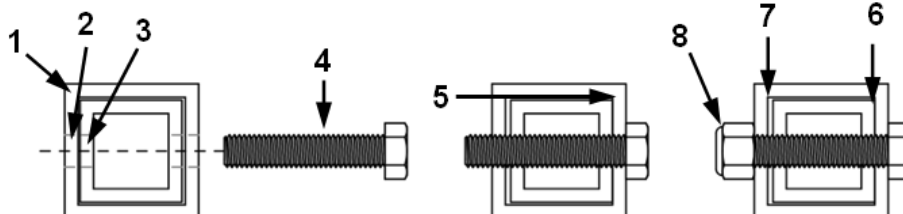


FIG. 4 QUICK REFERENCE

1. Vehicle Receiver
2. Vehicle Receiver Pre-Drilled Hole
3. SWINGAWAY Pre-Drilled Threaded Holes
4. Bolt
5. No Gap
6. No Gap
7. Slight gap
8. Locknut

FIG. 4

### 3. ATTACHING ELECTRICAL CONNECTORS TO SWINGAWAY

3.1. Referencing FIG. 5, the electrical circuit drawing below, connect vehicle to HAULWAY SWINGAWAY as follows:

3.1.1. Plug (1) into (2), (3) into (4), (5) into (6), and (7) into (8)

▲ HAULWAY SWINGAWAY Standard is shown below; note electrical works the same for all HAULWAY SWINGAWAY lifts.

▲ Shown routed through SWINGAWAY; if you removed your SWINGAWAY, connect (1) to (4) and (5) to (8).

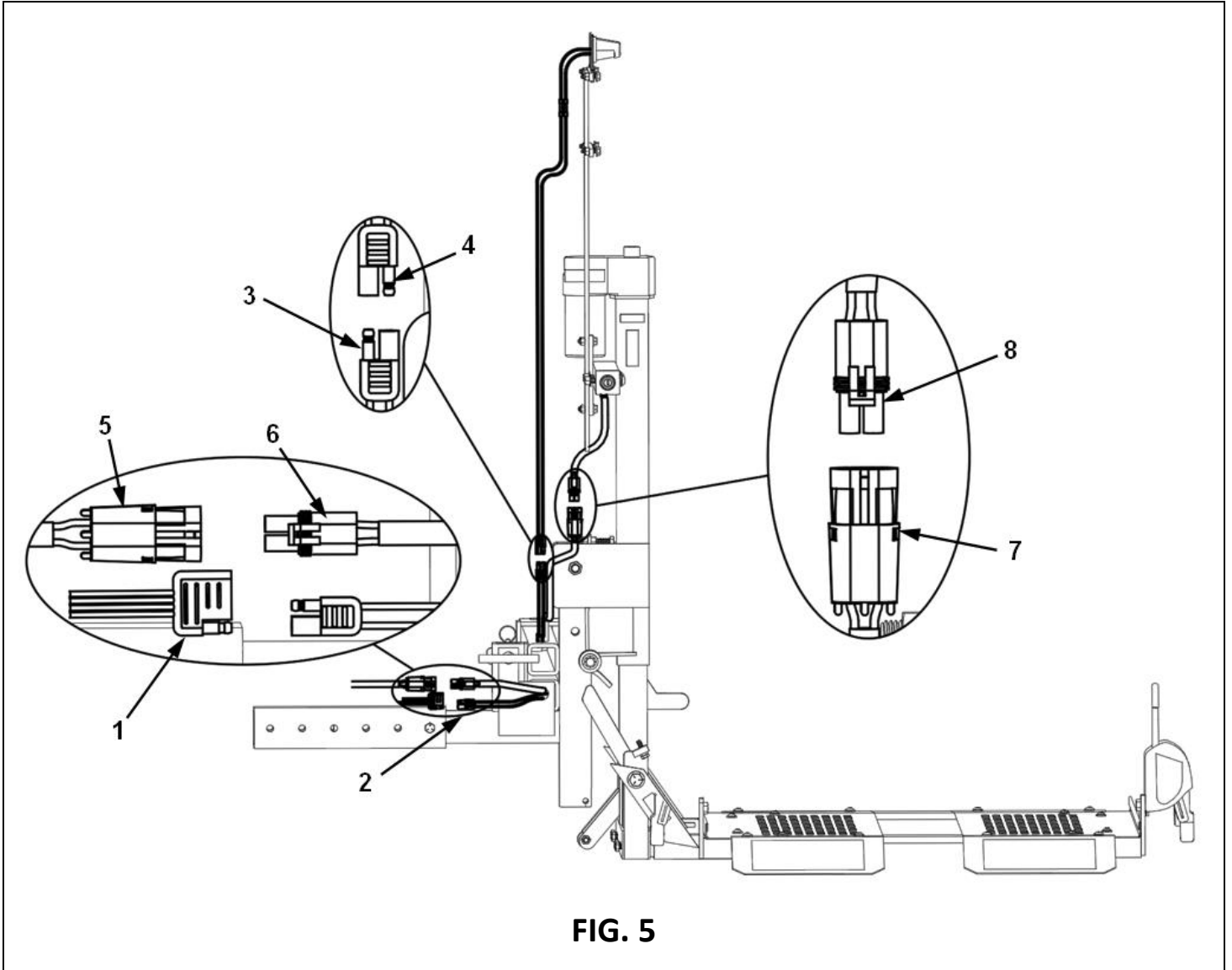
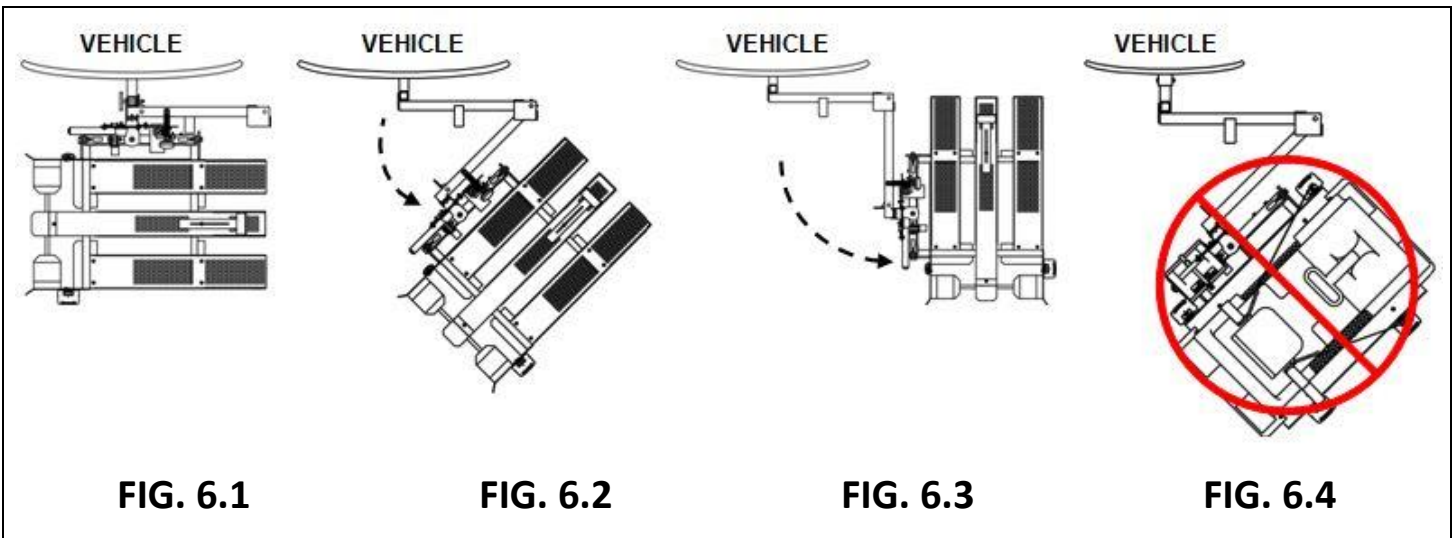


FIG. 5

## 4. SWINGAWAY OPERATION

4.1. FIG. 6.1 shows how the SWINGAWAY closed; FIG. 6.2 shows how the SWINGAWAY open half way; FIG. 6.3 shows how the SWINGAWAY fully extended, i.e., swung away from the vehicle.

- ⚠ NEVER USE YOUR SWINGAWAY WITH A MOBILITY DEVICE LOADED ON IT (FIG. 6.4).
- ⚠ Do not swing your HAULWAY SWINGAWAY into any type of traffic areas; always ensure the HAULWAY SWINGAWAY does not obstruct, or become a safety hazard, to others.
- ⚠ Never push or pull your SWINGAWAY open or closed uncontrolled; always control the swinging action or damage and or a dangerous situation may result.
- ⚠ Never operate vehicle with HAULWAY SWINGAWAY hitch pin and/or cotter pin removed; damage and serious injury could result.
- ⚠ Care must be taken not to operate the vehicle with a SWINGAWAY in any position other than closed and pinned in place.





## 5. OPENING THE SWINGAWAY

- 5.1. Remove mobility device from HAULWAY.
- 5.2. Remove cotter pin (FIG. 7, item 1) from hitch pin (FIG. 7, item 2).
  - ▲ Cotter pin is attached to a cable lanyard to help prevent loss.
- 5.3. Remove hitch pin (FIG. 7, item 2). DO NOT LOSE HITCH PIN.
- 5.4. Carefully swing HAULWAY out, away, from the vehicle as shown in FIGS. 6.1, 6.2, and 6.3.

## 6. CLOSING THE SWINGAWAY

- 6.1. Carefully move SWINGAWAY into place (FIGS. 6.1, 6.2, and 6.3.)
  - ▲ SWINGAWAY platform is in place when the two holes in the SWINGAWAY (FIG. 8, item 3) and the single hole in the tab (FIG. 8, item 1) align and the hitch pin (FIG. 7 and 8, item 2) can be slid through the holes.
- 6.2. Once hitch pin is properly inserted, insert the cotter pin as shown in FIG. 8, items 4 and 5, securing the hitch pin in place.
  - ▲ Observe the orientation of the cotter pin, it inserts from top down, not bottom up.

