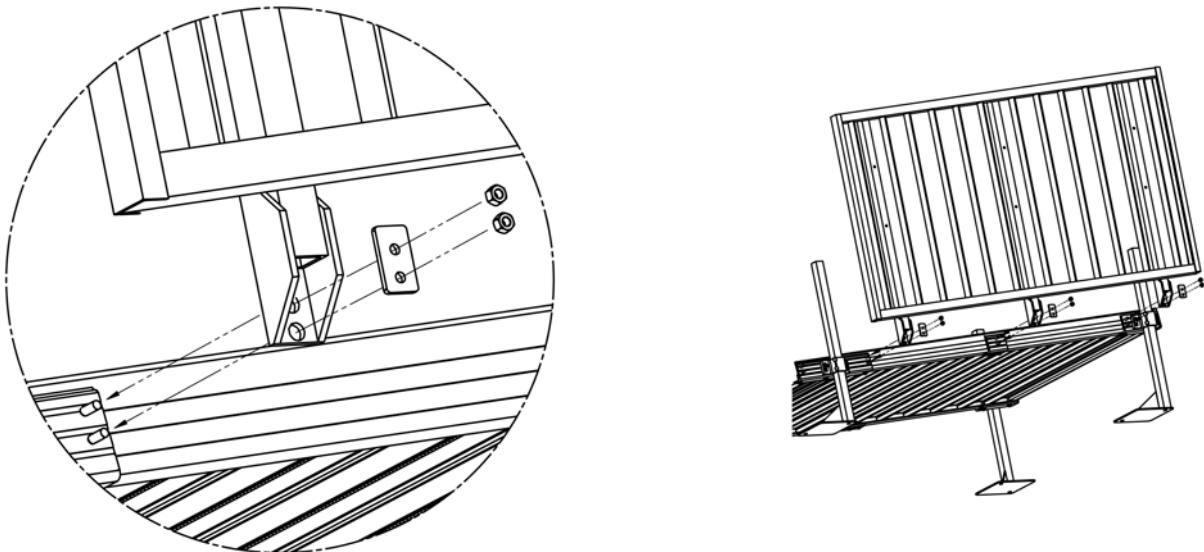


**If your ramp guard looks like the ramp guard above refer to Addendum No. 10283 for installation instructions.**



**If your ramp guard looks like the ramp guard above refer to Installation Manual No. 10257.**