



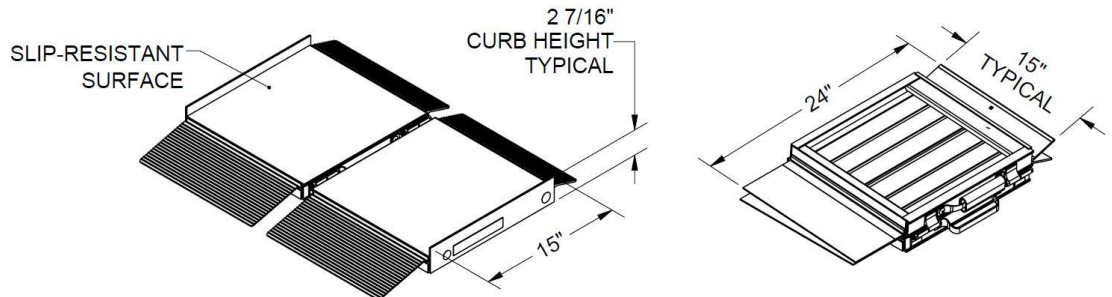
SUITCASE® Singlefold AS Ramp Technical Specifications

MODEL	SUITCASE SFAS02	SUITCASE SFAS03	SUITCASE SFAS04	SUITCASE SFAS05	SUITCASE SFAS06
MADE OF ALUMINUM	✓	✓	✓	✓	✓
SLIP-RESISTANT SURFACE	✓	✓	✓	✓	✓
BUILT-IN CARRYING HANDLE	✓	✓	✓	✓	✓
USABLE SIZE (L x W x H)	2' x 29.5"	3' x 29.5"	4' x 29.5"	5' x 29.5"	6' x 29.5"
FOLDED SIZE (L x W x H)	24" x 15" x 4.5"	36" x 15" x 4.5"	48" x 15" x 4.5"	60" x 15" x 4.5"	72" x 15" x 4.5"
WEIGHT*	6 lbs./section (x2)	8 lbs./section (x2)	10 lbs./section (x2)	13 lbs./section (x2)	15 lbs./section (x2)
WEIGHT CAPACITY (DO NOT EXCEED)	800 lbs.	800 lbs.	800 lbs.	800 lbs.	800 lbs.
FOR WHEELCHAIRS & SCOOTERS	✓	✓	✓	✓	✓
USAGE GUIDELINES (RISE)**	Curbs, 1 step	Curbs, 1 step	Curbs, 1-2 steps	Curbs, 1-2 steps, some minivans	1-3 steps, some minivans & SUVs
WARRANTY	Lifetime Limited	Lifetime Limited	Lifetime Limited	Lifetime Limited	Lifetime Limited

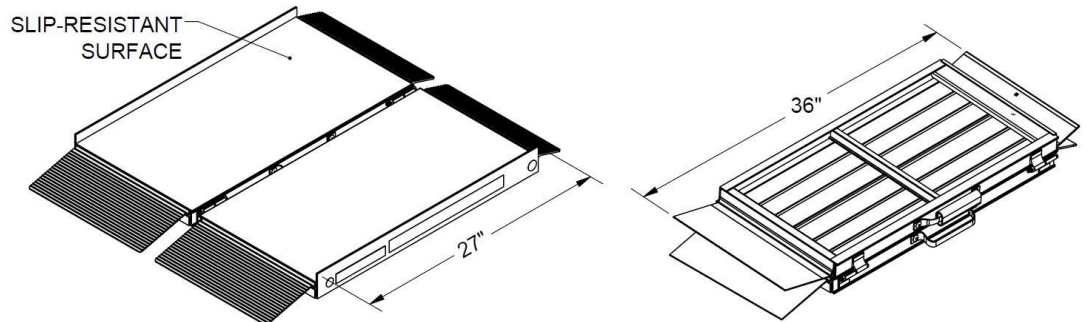
*Weights and dimensions are approximate and subject to change.

** Consult your equipment's owner guide for proper degree of incline. Never exceed its recommendations.

SUITCASE SFAS02



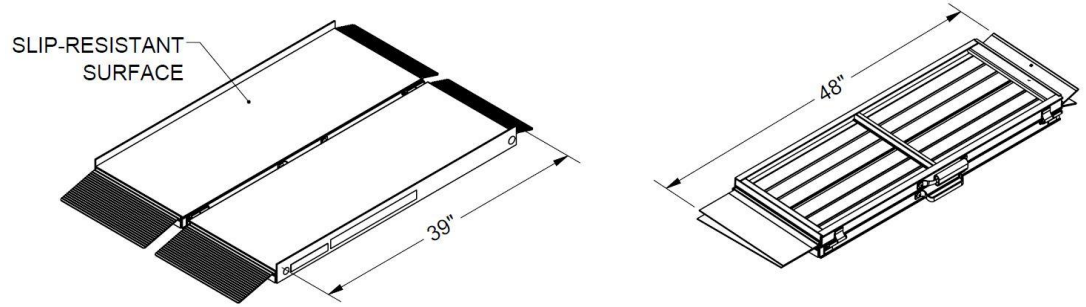
SUITCASE SFAS03



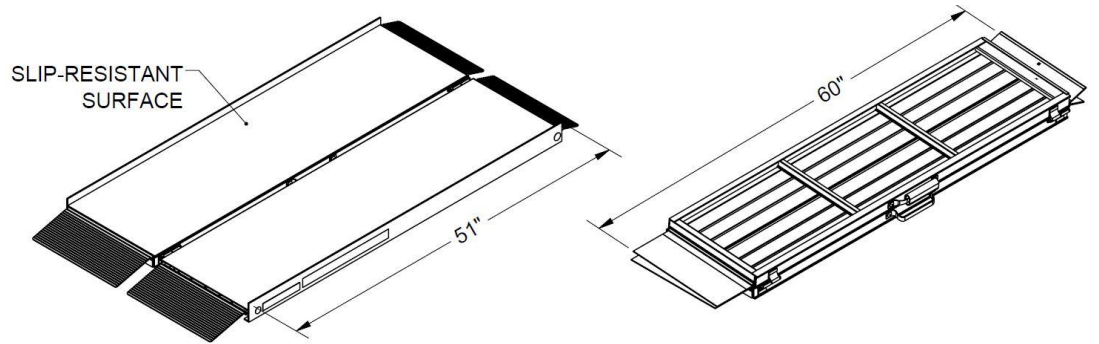


SUITCASE® Singlefold AS Ramp Technical Specifications

SUITCASE SF0AS4



SUITCASE SFAS05



SUITCASE SFAS06

