

Assembly Manual

ADDENDUM

This addendum replaces Section 5.1, Secure Ramps to Platforms, in the main manual titled *Pathway Modular Access System Assembly Manual*.

5. FINAL STEPS:

5.1 SECURE RAMPS TO PLATFORMS:

5.1.1 Once positioning of all ramps and platforms, and installation of all handrails, connectors, and end loops are complete, you will need to secure ramps to platforms with Ramp End Clips (included in MRHP RAMP HANGER PAIR).

⚠ WARNING Use two Ramp End Clips at all locations where ramps meet platforms.

5.1.2 Position each Ramp End Clip with the hole pointing up and oriented as shown in FIG 5.1, then insert the short end of the Ramp End Clip into small gap between the ramp and the platform in the area where the ramp side rail overlaps the ramp end tread (FIG 5.1).

5.1.3 Before the Ramp End Clip contacts the ramp side rail, rotate the Ramp End Clip so the short end extends into the recess under the ramp end tread. (FIG 5.1).

5.1.4 Use the hole in the Ramp End Clip as a template to drill 1/8" pilot hole in the platform side rail, then use the 1/4" x 1" long self-drilling, self-tapping screws to secure the Ramp End Clip to the platform side rail. (FIG 5.2).

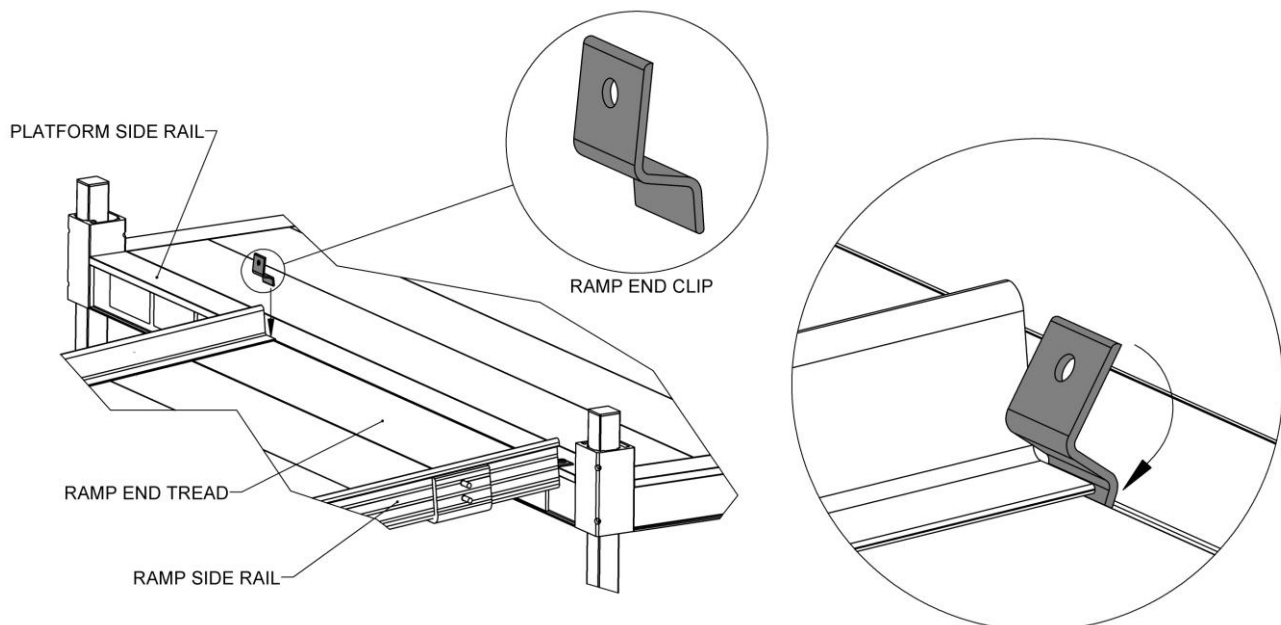


FIG. 5.1

Assembly Manual

ADDENDUM

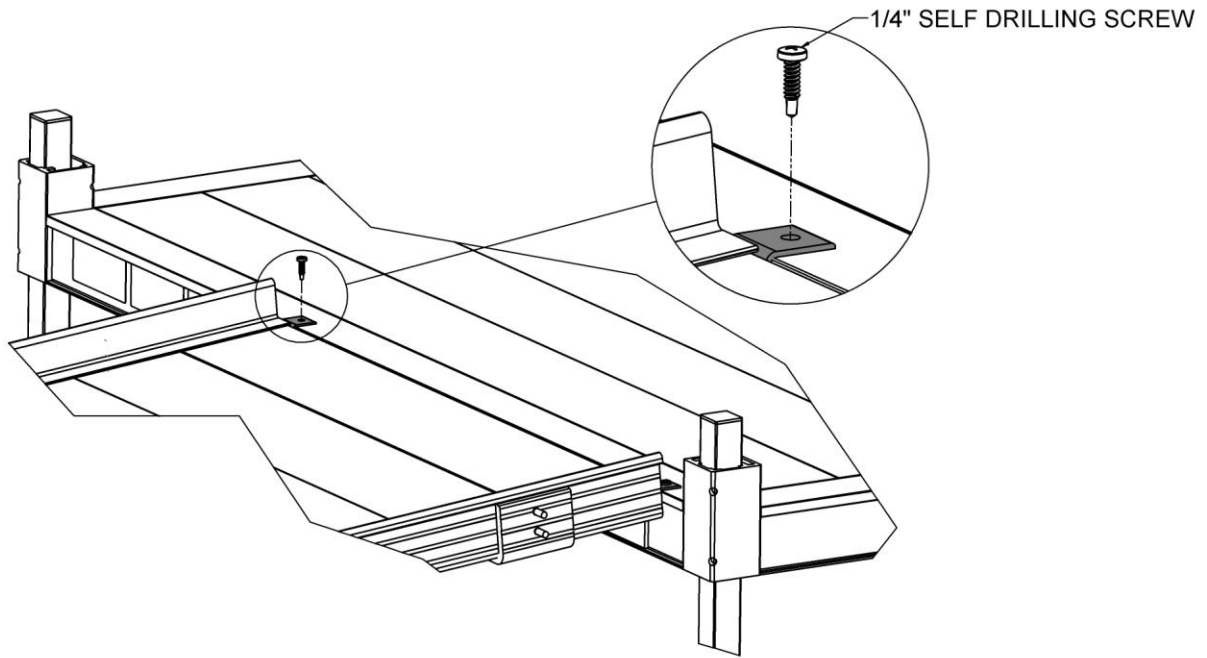


FIG. 5.2

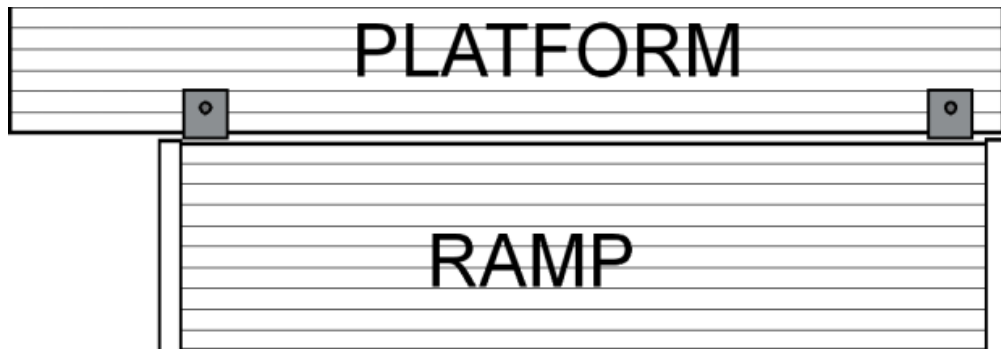


FIG. 5.3