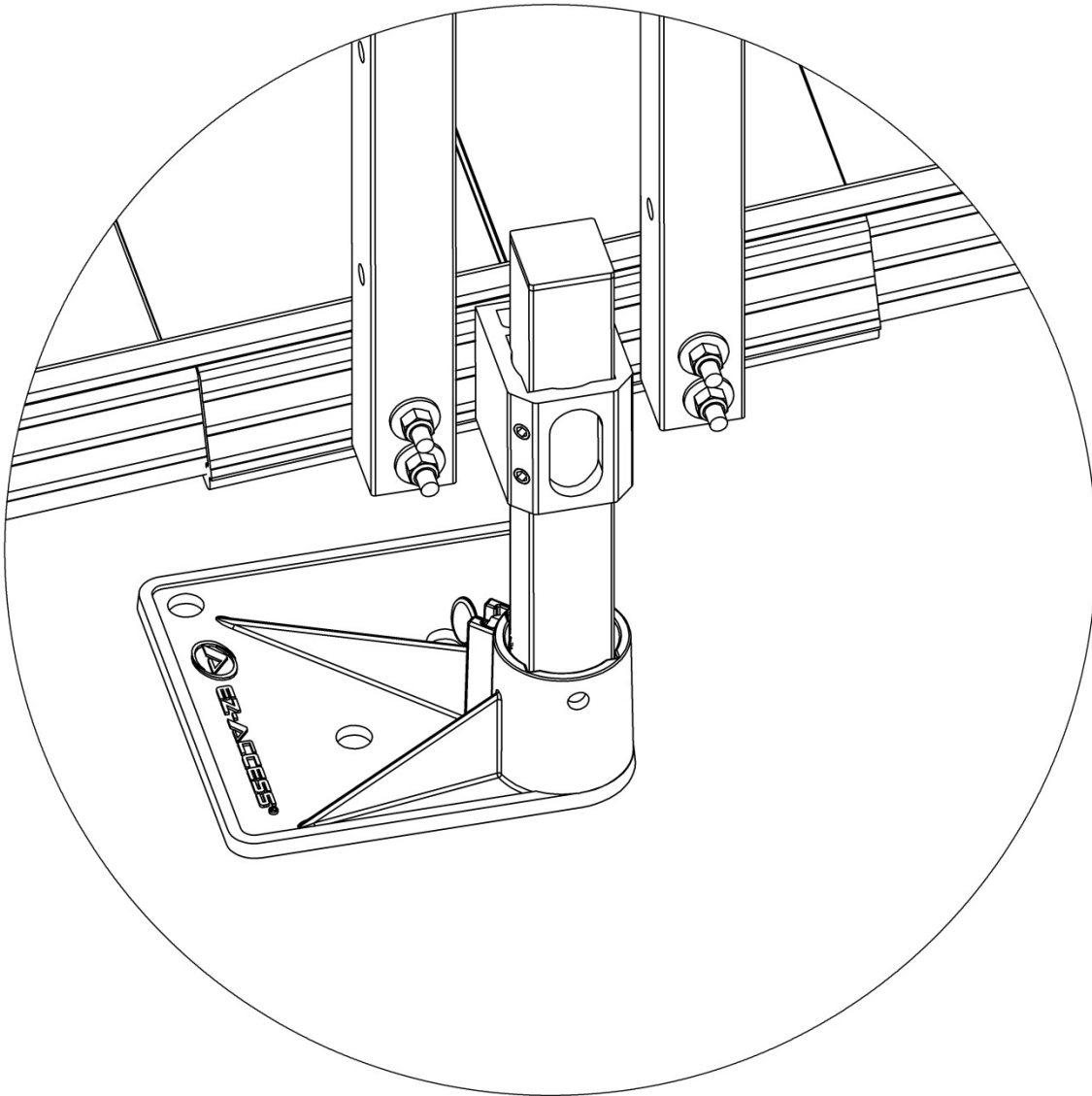


# Support Leg Bracket



## Supplement

*This supplemental document is intended to be used alongside the PATHWAY® 3G Modular Access System Assembly Manual.*



LIFETIME WARRANTY. Please register at [www.ezaccess.com/warranty-satisfaction](http://www.ezaccess.com/warranty-satisfaction).  
© EZ-ACCESS®, a division of Homecare Products, Inc. All rights reserved.  
All text and images contained in this document are proprietary and may not be shared, modified, distributed, reproduced, or reused without the express written permission of EZ-ACCESS.



Manufactured in the USA



17711 02-19-18



## **INTRODUCTION**

This supplement addresses replacing the “channel” style ramp legs with 1-1/2” square Support Legs and the addition of Support Leg Brackets on the PATHWAY® 3G Modular Access System. The Support Leg Bracket will allow the ramp to be angled from level to a 1:6 slope (approximately 9.5°).



## **ATTENTION INSTALLER and END USER**

- For residential use only!
- 1,000 lb. Rated Load. Never exceed Rated Load.
- Read all instructions and follow all labels, instructions, and warnings prior to assembly and use.
- For copies of complete instructions, warnings, or for additional care, use, or safety information, call customer service at 1-800-451-1903.
- Please leave this document with the end user.

## **SYMBOL MEANINGS**

-  The **WARNING** symbol indicates a potentially hazardous condition/situation. The safety warnings throughout this manual, and on your equipment, if any, are for the protection of people and property. Failure by any operator to abide by safety warnings will result in a waiver of all liabilities, loss of your warranty, and could result in equipment damage and or failure, property damage, risk of serious bodily injury, and or death. The symbol may appear in various colors and in conjunction with other symbols and with or without the written word “WARNING”.
-  The **NOTE** symbol indicates important information. Failure to obey all notes could result in improper operation, less-than-optimum equipment performance, and at the sole discretion of the equipment manufacturer, may void your warranty. The symbol may appear in various colors and in conjunction with other symbols and with or without the written word “NOTE”.

## **IMPORTANT SHIPPING INFORMATION**

-  Immediately open shipping boxes and inspect for damage or missing parts. If damaged or missing parts are noted, DO NOT INSTALL OR USE.
-  Each system is shipped with a packing list. Confirm all items are present before starting installation. Also check for shipping damage immediately upon receipt and note any freight damage on freight bill while driver is still present. Contact shipper right away with any freight damage concerns. In most cases, freight damage claims will not be allowed unless noted on the freight bill. Pictures of damage before the unit is unpacked can be very helpful.

## **TOOLS TYPICALLY REQUIRED**

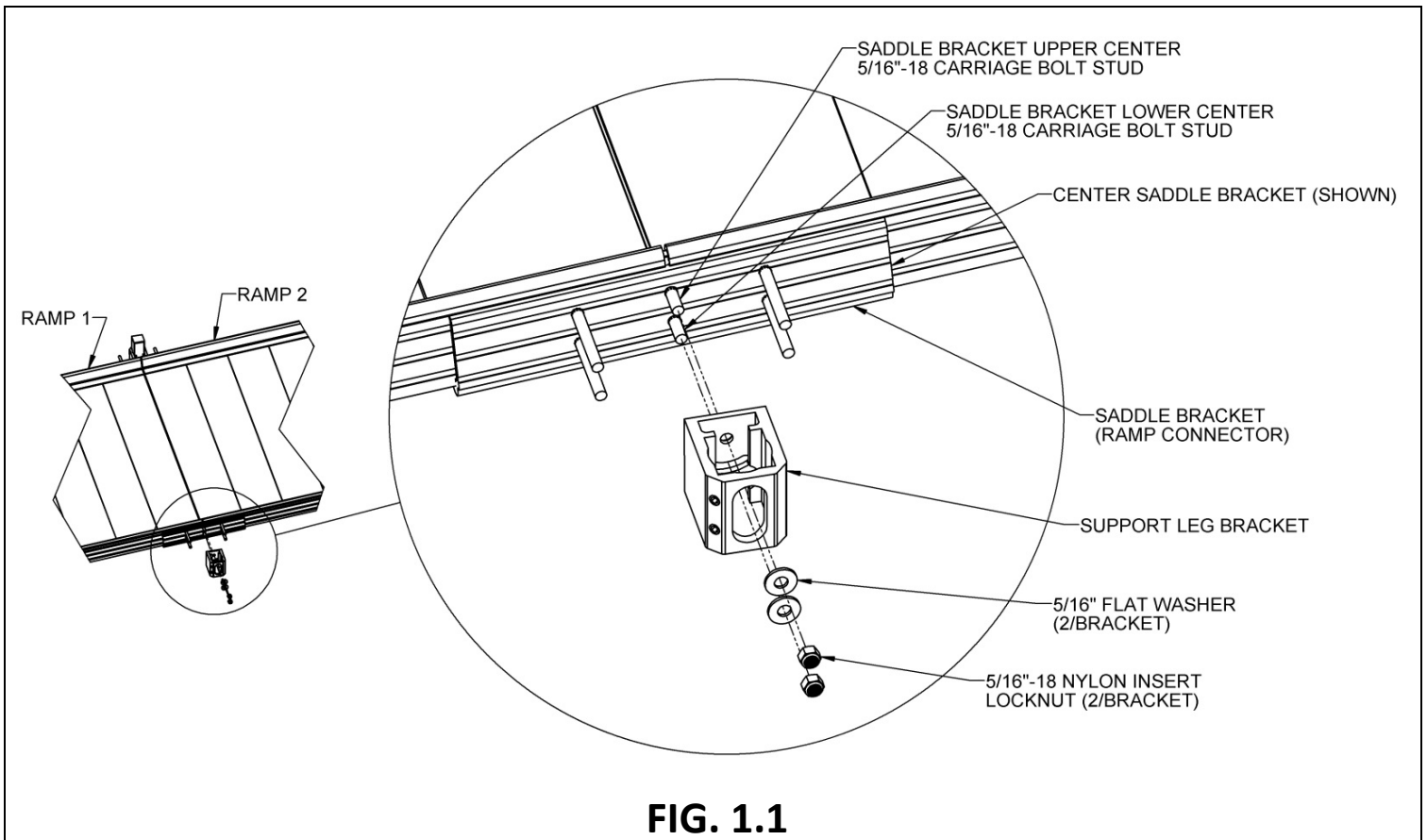
- |                              |  |
|------------------------------|--|
| ✓ POWER DRILL (IF DESIRED)   | ✓ LEVEL  |
| ✓ 1/8” DRILL BIT             | ✓ #2 PHILLIPS HEAD SCREW DRIVER                            |
| ✓ 1/2” SOCKET OR 1/2” WRENCH | ✓ 5/16” DRILL BIT (IF BRACE ASSEMBLIES ARE USED)           |
| ✓ RUBBER Mallet              | ✓ 9/16” DEEP WELL SOCKET OR 9/16” SOCKET WITH AN EXTENSION |
| ✓ FILE                       | ✓ DIGGING TOOLS (IF AN OBSTACLE NEEDS TO BE REMOVED)       |
| ✓ HAMMER                     | ✓ TWO ABLE-BODIED PERSONS NEEDED FOR INSTALLATION          |
| ✓ 25’ TAPE MEASURE           | ✓ TORQUE WRENCH  |

## **WARNINGS!**

- ⚠ 1,000 lb. Rated Load – never exceed the Rated Load.
- ⚠ Use caution at all times. Proper maintenance and upkeep to the Platform and all system components is vital.
- ⚠ The term “system” refers to the entire PATHWAY 3G Modular Access System, including any gates, stairs, ramps, platforms, risers, handrails, supports, transition plates, landing pads, and any/all hardware and components which are intended to be assembled on the PATHWAY Modular Access System.
- ⚠ Regularly check that all parts are in good condition and check the system for damage. Ensure all fasteners and locking mechanisms are in place and tightened. If any part of the system is damaged, loose, or missing, DO NOT USE until system repairs can be made by a certified installer or other qualified person.
- ⚠ Observe and avoid all potential pinch points.
- ⚠ Do not tamper with or attempt to modify system components.
- ⚠ Do not walk, sit, stand, etc. on the system until the installation is complete.
- ⚠ Consult local building codes regarding securing system for wind loads.
- ⚠ Use system only with a qualified helper.
- ⚠ Confirm the system is correctly leveled and positioned securely. Periodically check for ground shifts.
- ⚠ Metal conducts electricity! Do not use near exposed wiring, or hang lights or extension cords from system.
- ⚠ Never place anything on, under, or attach anything to system.
- ⚠ Only use components supplied or approved by manufacturer with system.
- ⚠ Do not sit, stand, or climb on guards, gates, handrails, or other system components.
- ⚠ Do not use any part of the system, to support planters, lighting, decorations, etc.
- ⚠ Do not play on or around system, including, but not limited to, running, jumping, bicycles, scooters, skateboards, etc.
- ⚠ Properly support and restrain system in transit or storage.
- ⚠ Keep the system clear of debris and clutter. Do not use if walking surface is unsafe.
- ⚠ At all times, keep the system clear of dirt, leaves, and other debris that may accumulate on the surface. Simply sweeping the system or using a garden hose will usually suffice, but, if needed, a damp cloth or soft brush with soap and water can be used (avoid alkaline detergents). Rinse well and use extra caution when system surface is wet.
- ⚠ The system may be slippery when wet or icy.
- ⚠ If system surface is covered with ice and/or snow, DO NOT USE until accumulation is removed and the tread surface swept clean. Please refer to the ‘DEICING’ section of the main PATHWAY® 3G Modular Access System Assembly Manual for more information.
- ⚠ For additional care, usage, or general safety information, please call 1-800-451-1903.
- ⚠ It is important that you refer to your equipment’s Owner Guide for the proper degree of incline/decline and chair direction before attempting system use. Never exceed its recommendations. Always follow your equipment manufacturer’s guidance.
- ⚠ Do not use product for anything other than its intended purpose.

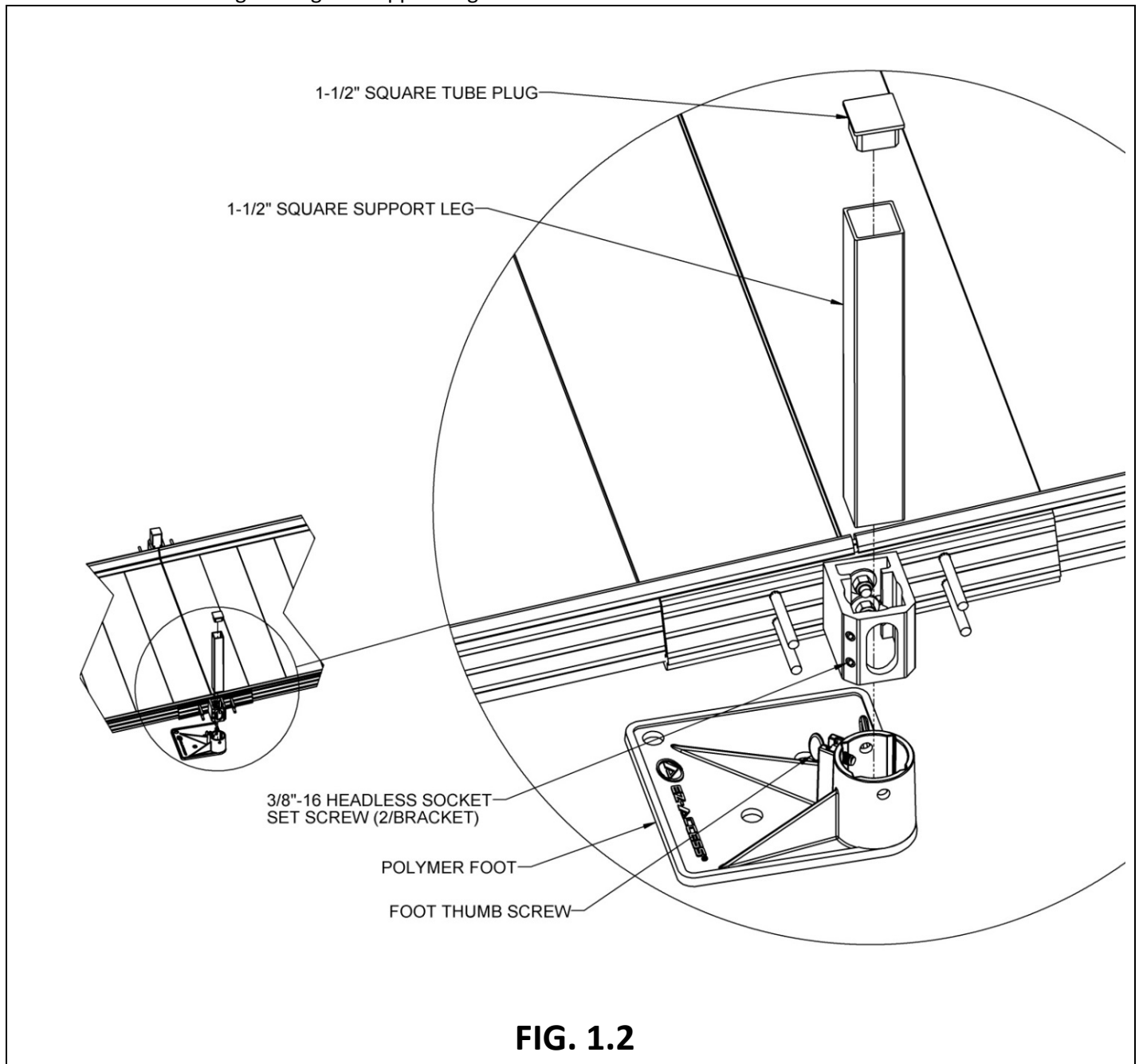
## 1. SUPPORT LEG BRACKET

- 1.1. Assemble and set the platforms and ramps as described in the main PATHWAY® 3G Modular Access System Manual 'PLATFORM' and 'RAMP' sections through 'INSTALL RAMPS PLATFORMS' section.  
    ✋ The following steps replace 'ATTACH SUPPORT LEGS TO RAMP'.
- 1.2. Install the Support Leg Bracket on the center studs of the Center Saddle Bracket (ramp connector) with the round hole on the upper stud and the curved slot over the lower stud (FIG. 1.1).
- 1.3. Install the provided 5/16" flat washers and 5/16"-18 nylon insert locknuts onto the studs but do not tighten fully until the bracket has been leveled (FIG. 1.1).



- 1.4. Level the Support Leg Bracket using a bubble level or similar tool, then torque the 5/16"-18 nylon insert locknuts to 20 ft.-lbs.
- 1.5. Place a polymer foot under the Support Leg Bracket with the foot extending under the ramp, then insert a 1-1/2" square Support Leg through the Support Leg Bracket into the foot. Loosen the 3/8"-16 headless socket setscrews and the foot thumb screw if needed to fully engage the Support Leg in the foot (FIG. 1.2).
- 1.6. After the Support Leg is fully engaged in the foot, tighten the 3/8"-16 headless socket setscrews to 15 ft.-lbs.  
    ⚠ Do not attempt to walk on the ramps until all Support Leg set screws have been tightened as specified.
- 1.7. Tighten the foot thumb screw and insert 1-1/2" square plug into the top of the Support Leg (FIG. 1.2).
- 1.8. Repeat the above procedure at all locations where ramps connect, and also at the ends of a ramp run if a PRST – Ramp Support Top is used.
- 1.9. Complete step 'ADJUST THE SUPPORT LEGS ONE AT A TIME' as described in the main PATHWAY® 3G Modular Access System Manual.
- 1.10. Loosen and re-torque the support leg setscrews as required to align the ramps.

1.11. Complete the remaining steps described in the main PATHWAY® 3G Modular Access System Manual, including bracing the Support Leg.



## 2. **FINAL CHECKS:**

- 2.1. Ensure that all fasteners are in place and secure.
- 2.2. Walk on the assembled system, checking for any undue movement.
- 2.3. Remove any debris and metal chips.
- 2.4. Ensure that the level and slope has not shifted during installation.