

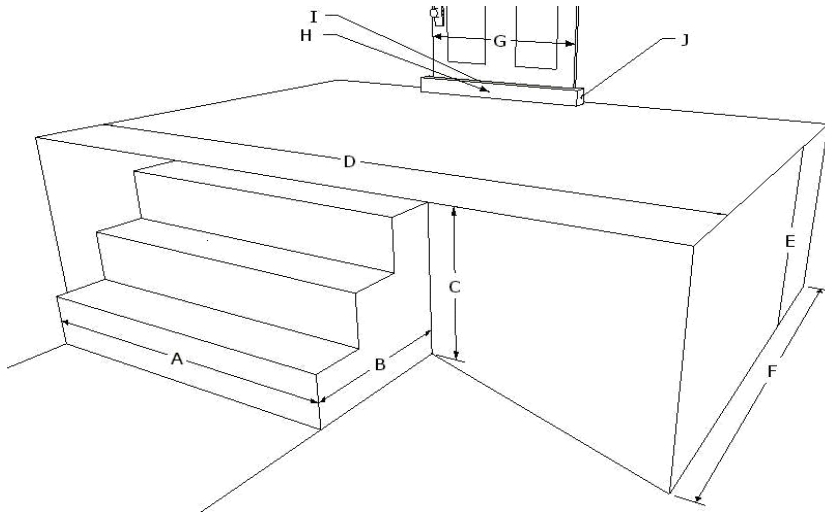
Environmental Survey

Vertical Platform Lift (VPL) Requirements Worksheet



Account Number		Quote Number	
Customer Name		Today's Date	
Site Address	City	State	Zip

Measurements



- Width of Steps (or between handrails, if applicable) A = _____
- Depth of Steps B = _____
- Rise of Steps C = _____
- Width of Porch (if differs from steps) D = _____
- Rise of Porch (if differs from steps) E = _____
- Depth of Porch F = _____
- Width of Door (usable space) G = _____
- Rise of Exterior Threshold H = _____
Threshold ramp needed
- Rise of Interior Threshold I = _____
Threshold ramp needed
- Depth of Threshold J = _____

Desired Location of VPL: _____

Distance from designated location of VPL to nearest GFI outlet (max. 10' away from VPL – do not forget to test outlet): _____

Straight Platform Turn Platform Concrete Pad (min. size: Straight: 80" x 56" x 4" & Turn: 89" x 56" x 4")

Total Rise: _____ Lifting Height Needed: 44" 52" 72" 120" 144" 168"

As you face outside, the door opens: In Out Left Right *Fascia Panel Needed: Length: _____ Height: _____

Platform Needed (WxD): 4'x5' 5'x5' 5'x6' 6'x6' 8'x5' Bridge Plate Needed: 36" 48" 60"

Steps Needed: 8"-14" 15"-21" 22"-28" 29"-35" 36"-42" 43"-49" 50"-56" Custom _____

* Fascia paneling not provided or offered by EZ-ACCESS

Additional Measurements & Requirements for 120", 144", and 168" VPLs

A Platform Gate is required on 120", 144", and 168" VPLs (verify 38.6" is available for gate swing clearance).

Bracing is required for 120", 144", and 168" VPLs (verify a supporting structure such as a wall is available for bracing the VPL tower).

Where is the structure in relation to the VPL? (This determines type of bracing needed)

Back of Tower Side of Tower

Distance from structure:

Side Brace Reach (Straight: Minimum 13.4", Maximum 16.9"): _____

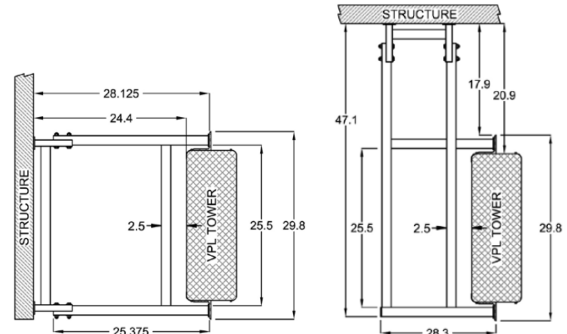
Side Brace Reach (Turn: Minimum 17.9", Maximum 20.9"): _____

Back Brace Reach (Straight & Turn: Minimum 21.4", Maximum 24.4"): _____

120" VPL requires one brace (height range: 116" to 126")

144" VPL requires two braces (height ranges lower: 90" to 102", upper: 140" to 150")

168" VPL requires two braces (height ranges lower: 90" to 102", upper: 164" to 174")



Options

Top Landing Gate (used to control access between VPL and upper landing, porch, or deck - verify 51" is available for gate swing clearance)

Left Hinge Right Hinge
(while standing on lift, facing gate location)

Gate connecting to:
 Wood Deck EZ-ACCESS Aluminum Platform Other Surface

Platform Gate (although standard on 120", 144", and 168" lifts, this three-line gate can be added as an option to 44", 52", and 72" lifts)

Interlock (safety device intended to prevent an existing door from being opened when the lift is in the down position)

Call/send Control (offers ability to call the VPL up or down from multiple stations) Mounting Location (max 10' away from VPL): _____

Wireless Remote Control (used to operate the VPL from nearby locations)

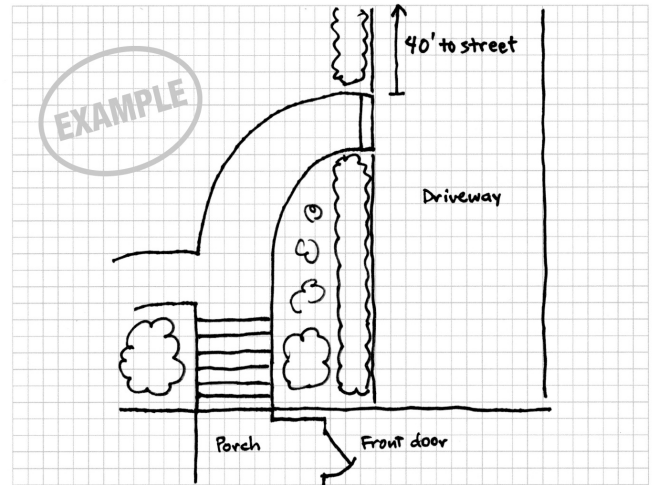
Platform Safety Rail (provides additional stability while standing on the platform)

Weather Guard (helps protect the base of the VPL from the outdoor elements and keeps the Safety Pan free of debris)



Directions: Please sketch an aerial (bird's-eye) view of the vertical platform lift location. Be sure to consider:

- Obstacles such as driveway, walkways, trees, shrubs, etc.
- Which way the door opens (left, right, in, out).
- Square footage of the top landing, nearest the door.



Scale: 1 square = 1 foot

A large grid area for sketching the aerial view of the vertical platform lift location. The grid is composed of small squares, each representing 1 foot by 1 foot.