



ORBIT® Patient Transfer Lift Technical Specifications

TECHNICAL DATA

APPLICATION:	Residential & Institutional
OPERATION:	Lifting, transferring, and lowering users to and from specific, pre-identified locations
U.S. PATENT:	Patent Pending
MOUNTING:	Anchor to: (1) wall and floor; (2) ceiling and floor; or (3) ceiling, wall, and floor
MOUNTING BOLT SIZE:	7/16" (Length depends upon your specific mounting construction and installation hardware)
CONTROL:	Hand push and pull
MATERIAL & FINISH:	Corrosion-resistant powder coated steel
WARRANTY:	5-Year Limited. Visit www.ezaccess.com for complete warranty details

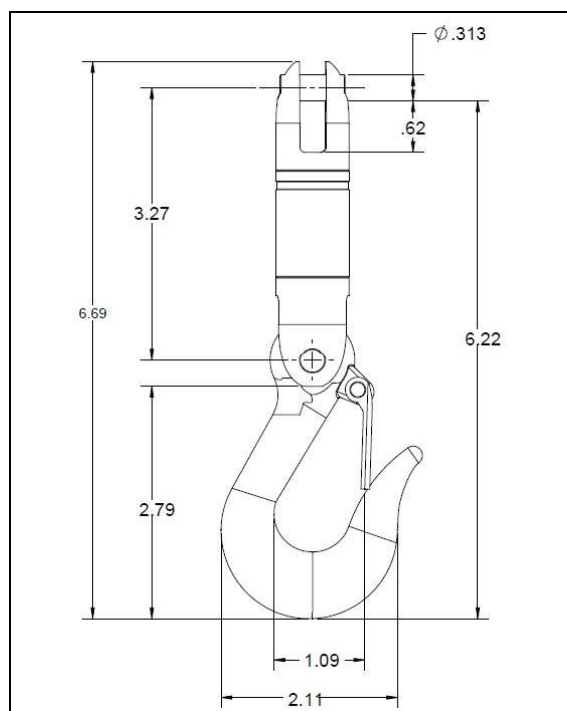
WEIGHTS & DIMENSIONS

PART NO.:	ORBIT 04-0810	ORBIT 04-0812	ORBIT 05-0810	ORBIT 05-0812
STANCHION WEIGHT:	68 lbs.	76.5 lbs.	68 lbs.	76.5 lbs.
ARTICULATING ARM WEIGHT:	37.6 lbs.	37.6 lbs.	43 lbs.	43 lbs.
TOTAL WEIGHT:	105.6	114.1 lbs.	111 lbs.	119.5 lbs.
CEILING HEIGHT RANGE:	8'-10'	8'-12'	8'-10'	8'-12'
RATED LOAD:	440 lbs.			

Weights and dimensions are intended for reference only. They are approximate and subject to change. Please consult EZ-ACCESS for certified drawings. Refer to instruction manual for complete information on rated load and proper usage.

SWIVEL AND HOOK (OPTIONAL EQUIPMENT)

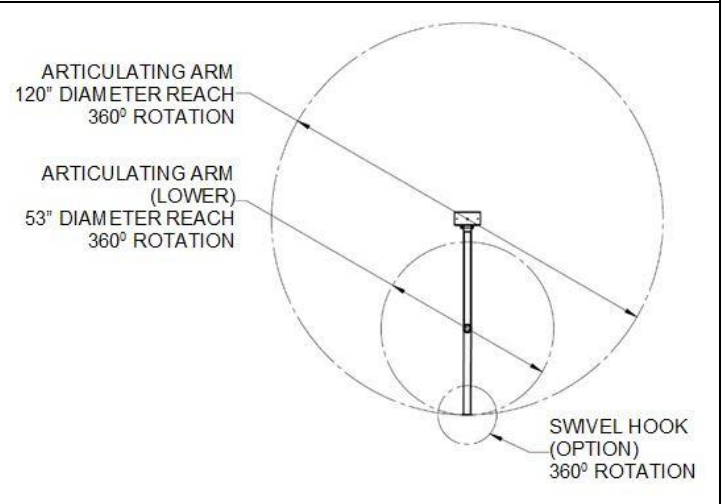
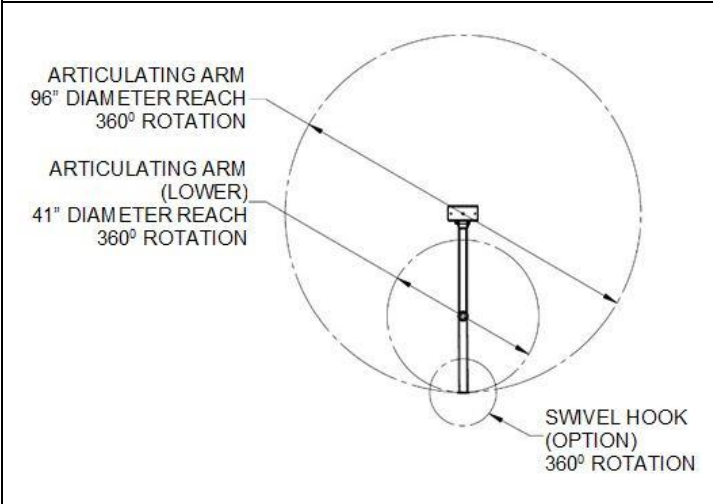
PART NO.:	ORBIT SH
WEIGHT CAPACITY:	440 lbs.
APPLICATION:	For lifting
SWIVEL TYPE:	Sealed Ball bearing
SWIVEL ROTATION:	360 degrees



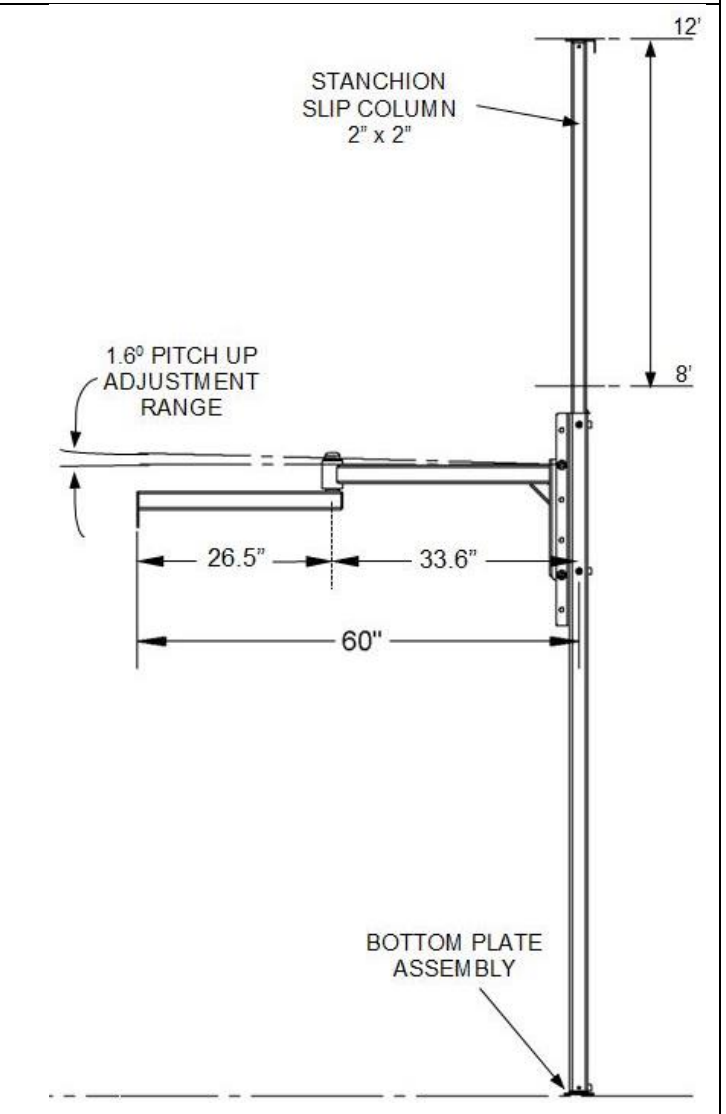
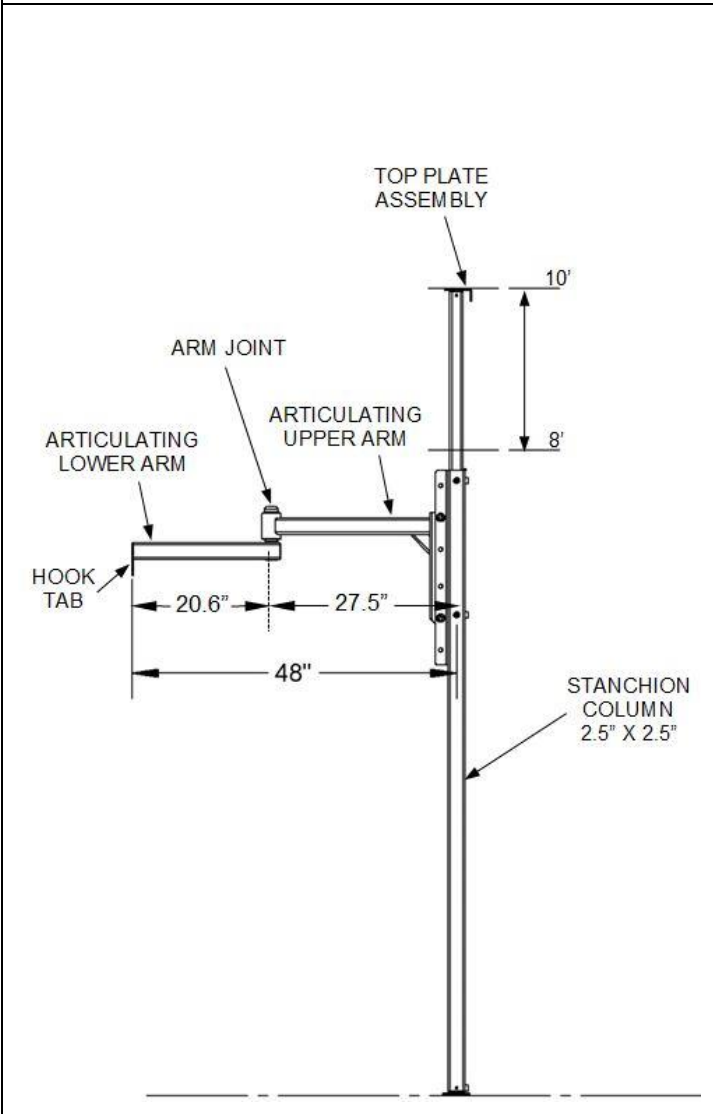
4' ARTICULATING ARM w/ 8-10' STANCHION

5' ARTICULATING ARM w/ 8-12' STANCHION

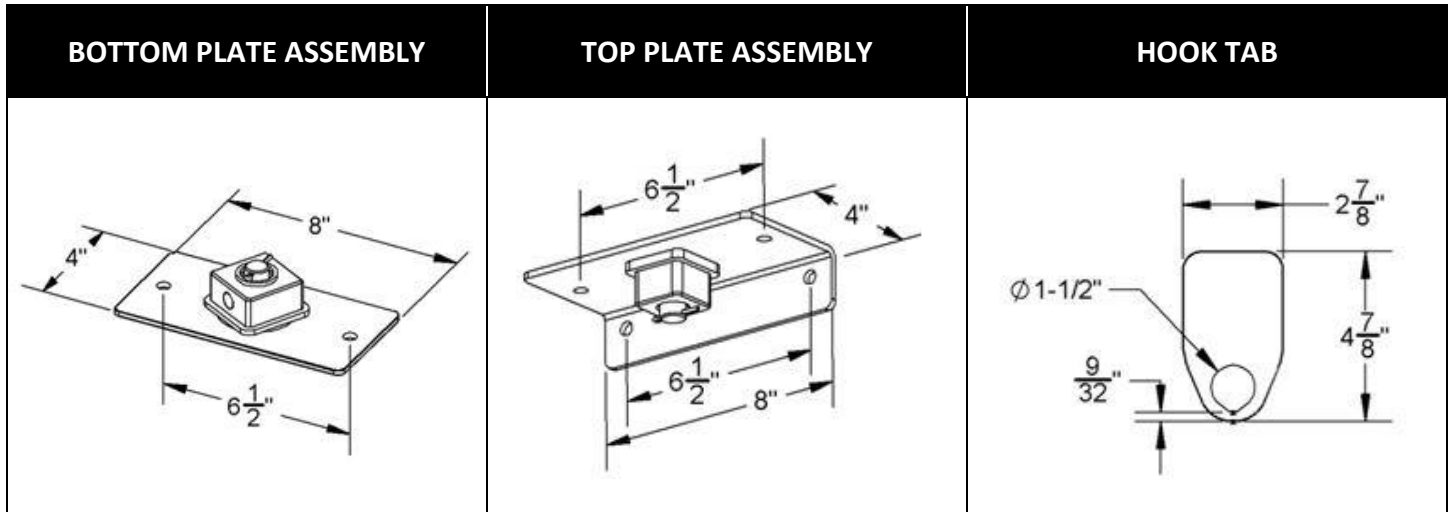
PLAN (TOP) VIEW



ELEVATION (SIDE) VIEW



MOUNTING DIMENSIONS



ADDITIONAL REFERENCE DIMENSIONS

ARTICULATING ARM POSITION	HOOK TAB TO FLOOR*	SWIVEL HOOK TO FLOOR**	ARM JOINT TO FLOOR***
Top	82.5625"	77"	92.321"
Middle	77.8125"	72.25"	87.571"
Bottom	73.0625"	67.5"	82.82"

- * Hook tab measured from bottom of opening.
- ** Swivel hook measured from inside bottom of hook.
- *** Measured from top of arm joint to floor.