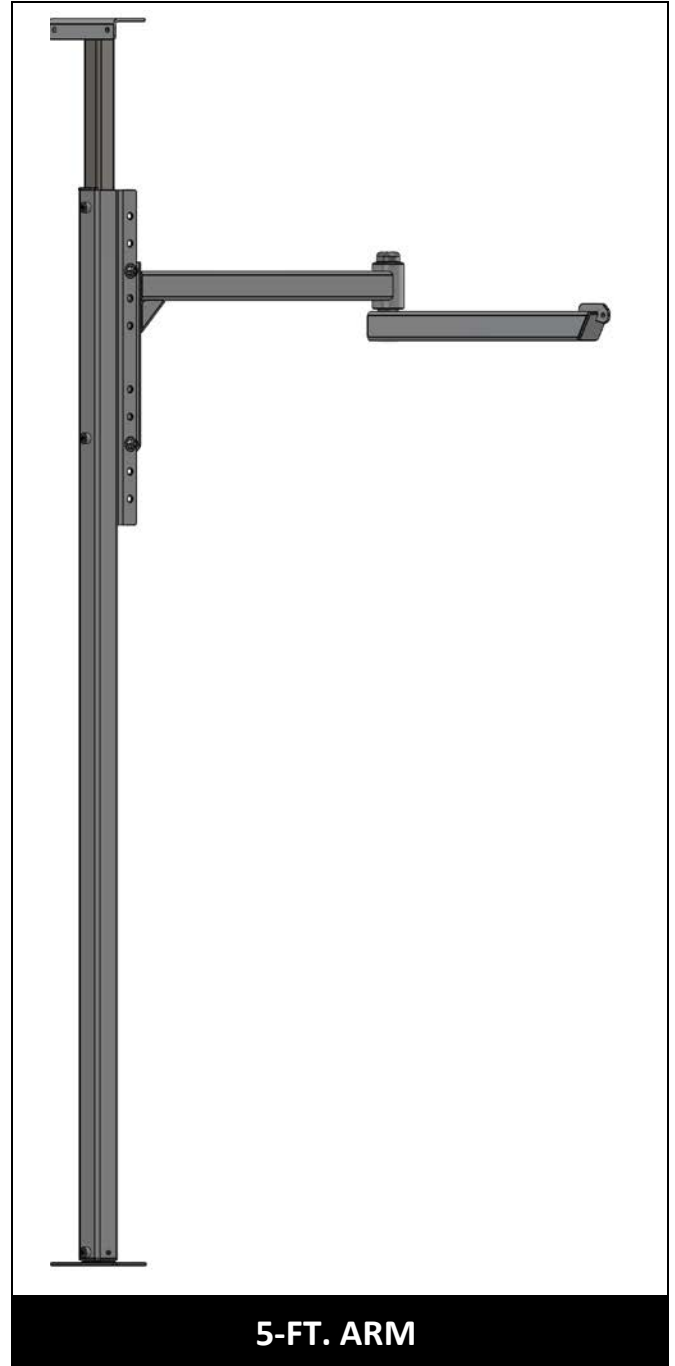
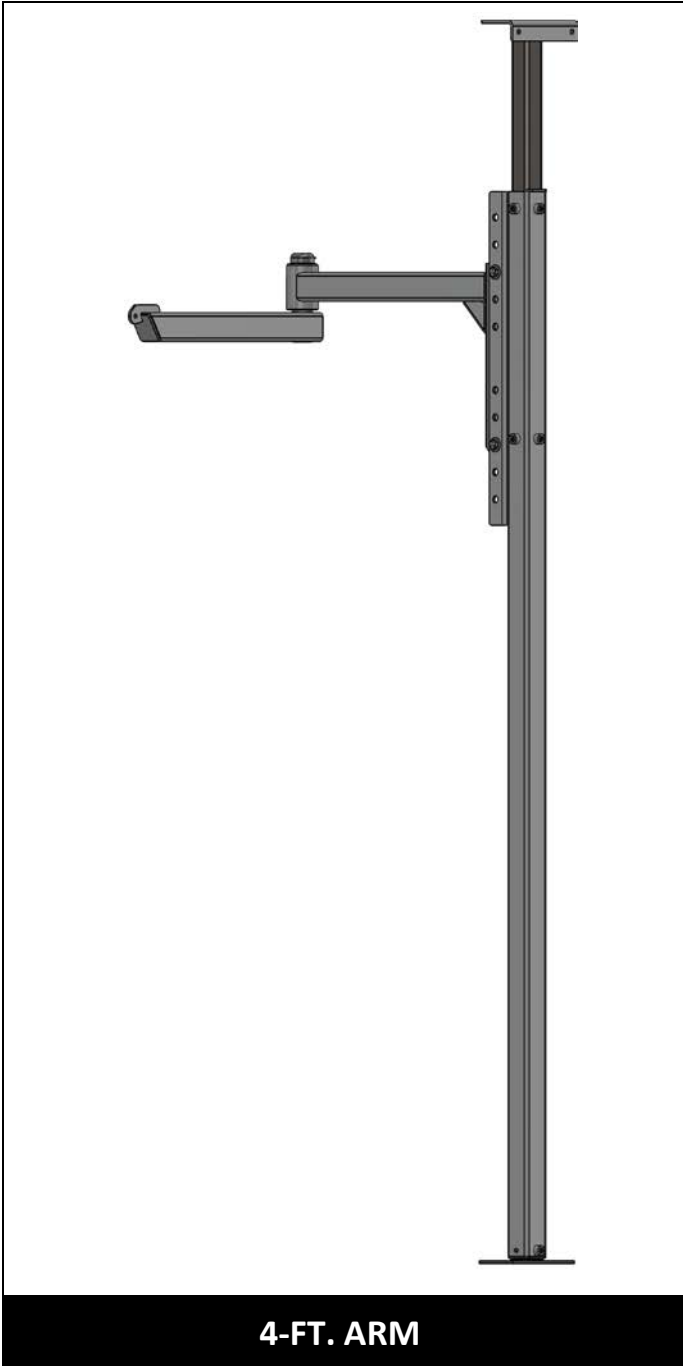


Assembly & User Manual

ORBIT® Patient Transfer Lift



5-YEAR WARRANTY. Please register at www.ezaccess.com/warranty-satisfaction.
© EZ-ACCESS®, a division of Homecare Products, Inc. All rights reserved.
All text and images contained in this document are proprietary and may not be shared, modified,
distributed, reproduced, or reused without the express written permission of EZ-ACCESS.
Patent Pending.
17534 REV 06-14-18.DOCX



Manufactured in the USA



TABLE OF CONTENTS

| | |
|---|-----|
| INTRODUCTION, IMPORTANT INFORMATION, AND TOOLS REQUIRED | 2 |
| WARNINGS | 3 |
| SECTION 1: SYSTEM COMPONENTS | 4 |
| SECTION 2: INSTALLATION | 5-9 |
| STANCHION | 5-6 |
| ARTICULATING ARM | 7 |
| SET & ADJUST PITCH | 8 |
| SET & ADJUST BRAKE | 8 |
| SECTION 3: SWIVEL HOOK (OPTION) | 9 |
| SECTION 4: FINAL CHECKS and PERIODIC MAINTENANCE | 9 |
| SECTION 5: RECYCLING and DISPOSAL | 9 |

INTRODUCTION

The ORBIT Patient Transfer Lift, with its articulating arm and pivoting stanchion with brake, rotates up to 360-degrees and can be installed floor-to-ceiling or floor-to-wall. Models are available for horizontal reach of up to 4' and 5' in all directions, as well as to accommodate ceiling heights of 8' – 12'. The ORBIT rotates a full 360-degrees at the stanchion as well as 360-degrees at the articulating arm. The ORBIT also rotates 360-degrees at the Swivel Hook, when that option is installed.

Throughout this manual, the ORBIT Patient Lift is also referred to as "ORBIT", "Patient Transfer Lift", or "Lift".

IMPORTANT SHIPPING INFORMATION

- ✎ Immediately open shipping boxes and inspect for damage or missing parts. If damaged or missing parts are noted, DO NOT INSTALL OR USE.
- ✎ The ORBIT is shipped with a packing list. Confirm all items are present before starting installation. Also check for shipping damage immediately upon receipt and note any freight damage on freight bill while driver is still present. Contact shipper right away with any freight damage concerns. In most cases, freight damage claims will not be allowed unless noted on the freight bill. Pictures of damage before the unit is unpacked can be very helpful.

REQUIRED TOOLS

- Socket wrench or drill
- 3/4" socket
- 3/4" box-end or open-end wrench
- Torque wrench (capable of up to 55 ft./lbs.)
- 1/4" Allen wrench socket (for torque wrench)
- 1/4" Allen wrench
- 3' or 4' level
- 9" (or similar, Torpedo level)
- 5/32" Allen wrench (for optional Swivel Hook)
- ✎ Installer will also need project-specific tools for anchoring the ORBIT into the floor and ceiling or wall.

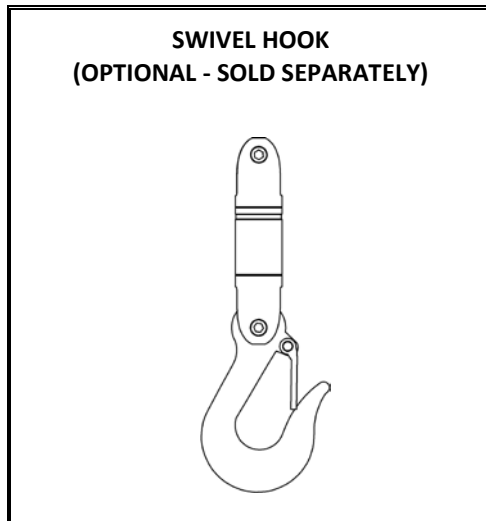
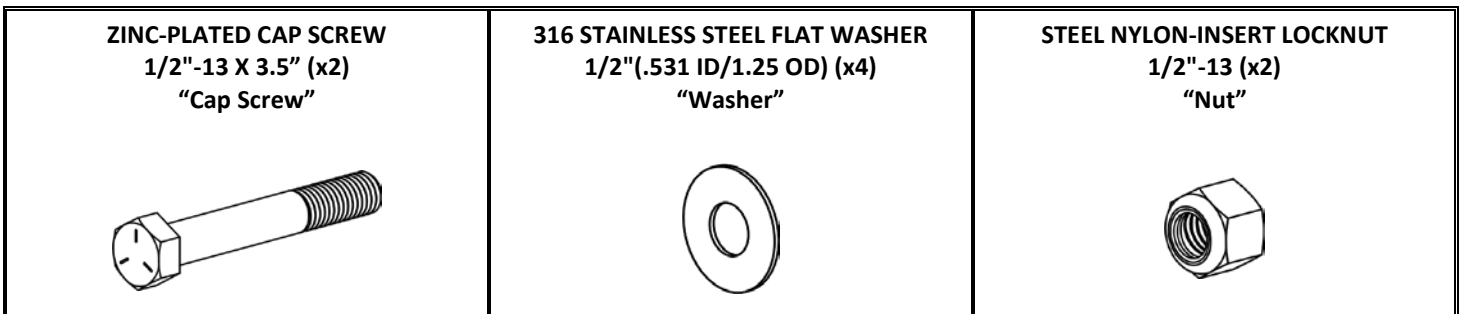
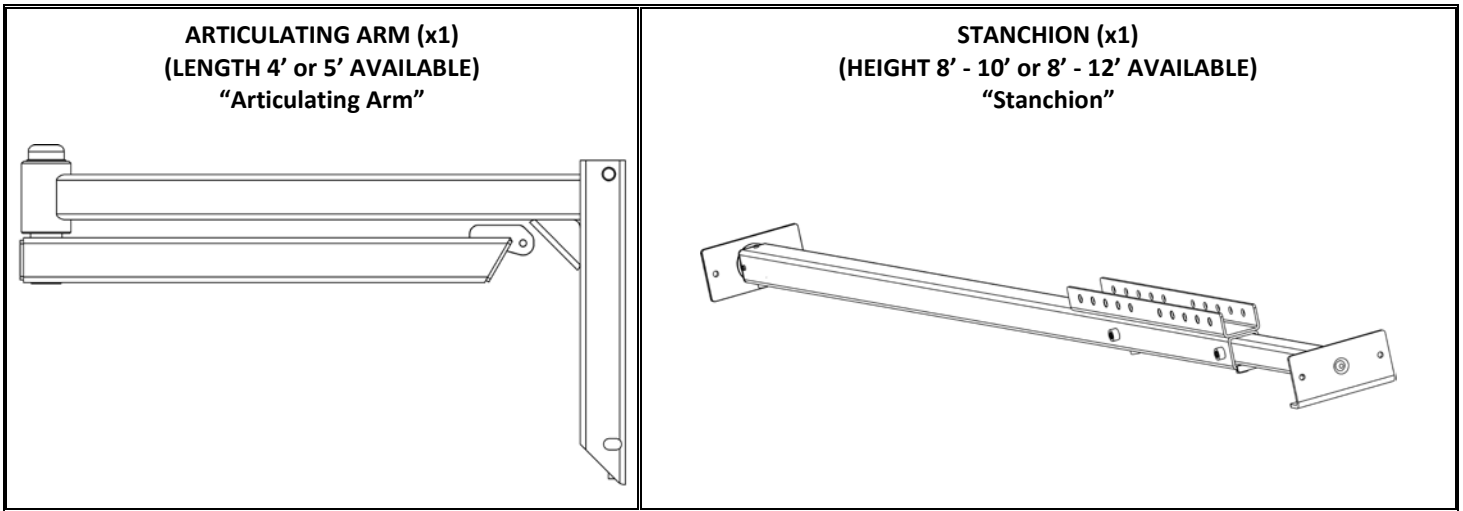
SYMBOL MEANINGS and WARNINGS!

- ⚠ The **WARNING** symbol indicates a potentially hazardous condition/situation. The safety warnings throughout this manual, and on your equipment, if any, are for the protection of people and property. Failure by any system user to abide by safety warnings will result in a waiver of all liabilities, loss of your warranty, and could result in equipment damage and or failure, property damage, risk of serious bodily injury, and or death. The symbol may appear in various colors and in conjunction with other symbols. For clarification, a “system user” is any person using/operating the system.
- 👉 The **NOTE** symbol indicates important information. Failure to obey all notes could result in improper operation, less-than-optimum ORBIT performance, and at the sole discretion of EZ-ACCESS, may void your warranty. The symbol may appear in various colors and in conjunction with other symbols.

WARNINGS

- ⚠ **RATED LOAD:** 440 lbs.
- ⚠ Before installation and use, read and follow all instructions, labels, and safety warnings. Correct installation, proper adjustment and use, and following all instructions and warnings are necessary for safe ORBIT operation. For additional care, use, or safety information, or to obtain replacement copies of labels and instructions, call 1-800-451-1903 or visit www.ezaccess.com. Maintaining all labels and manuals in legible condition is required by the ORBIT owner and is essential for safe ORBIT operation. Do not remove ORBIT safety labels.
- ⚠ Do not use the ORBIT until installation is fully complete and always use caution throughout the installation/assembly process. Until the Brake has been set/adjusted, the stanchion may rotate. Correspondingly, until Articulating Arm is correctly pitched and leveled, it may free-swing. Please use caution at all times.
- ⚠ Never exceed the RATED LOAD. The RATED LOAD specified is for the ORBIT only and does NOT include ancillary equipment such as motor, sling, etc.
- ⚠ Before using ancillary equipment, refer to your ancillary equipment’s (motor, sling, etc.) Owner Guide for proper use. Never exceed ancillary equipment’s manufacturer recommendations.
- ⚠ Professional installation by a contractor is recommended.
- ⚠ The ORBIT must be properly installed and anchored before operation. Improper installation and or use of the ORBIT can be hazardous.
- ⚠ The ORBIT is NOT a transport device. Use only to transfer an individual from one resting spot to another (such as bed to wheelchair).
- ⚠ Periodic inspection of the ORBIT and mounting hardware is vital. Verify that the lift is undamaged and secure before each use.
- ⚠ Do not attempt to repair or modify any part of the ORBIT including damaged fasteners or components; only qualified technicians may install/service the ORBIT. Contact your dealer for additional information and to schedule maintenance, inspections, repairs, or service.
- ⚠ Tampering or modifying any portion of the lift will void the warranty and may result in a hazardous situation.
- ⚠ Do not play on or around the ORBIT.
- ⚠ Turn electronic devices used with the ORBIT “OFF” and activate the Emergency Stop before loading or unloading patients. Never operate equipment with the ORBIT that has damaged electrical wires, cords, or plugs.
- ⚠ Observe and avoid all pinch points.
- ⚠ Never install or use the ORBIT in a manner which pinches electrical cords or causes other safety concerns.
- ⚠ Before and during ORBIT operation, ensure hair, jewelry, shirts, ties, shoe laces and all other forms of clothing and other personal ornamentation are not, and will not, catch on anything and create a hazard.
- ⚠ The installer is responsible for ensuring the suitable structural integrity of all mounting surfaces and best anchoring method for the ORBIT. The lift can be mounted to most materials, provided material is structurally sound and will remain structurally sound throughout the use of the ORBIT. Take into consideration patient loading and unloading points and rotational radius.
 - 👉 The best time to determine equipment installation and attachment technique is during the on-site evaluation.
- ⚠ Installer must verify ORBIT Stanchion will be installed perpendicular to the ground/gravity plane.
- ⚠ Installer must verify ORBIT installation will allow travel without interference, obstruction, or safety hazard to others.
- ⚠ Do not use the ORBIT or its components for anything other than their intended purpose of lifting a single individual. Do not use to support, attach, or hang planters, lights, decorations, clothing, fabrics or other furnishings.
- ⚠ Use the ORBIT only with a qualified helper.
- ⚠ The articulating arm swings freely; a qualified helper must maintain control of patient at all times.

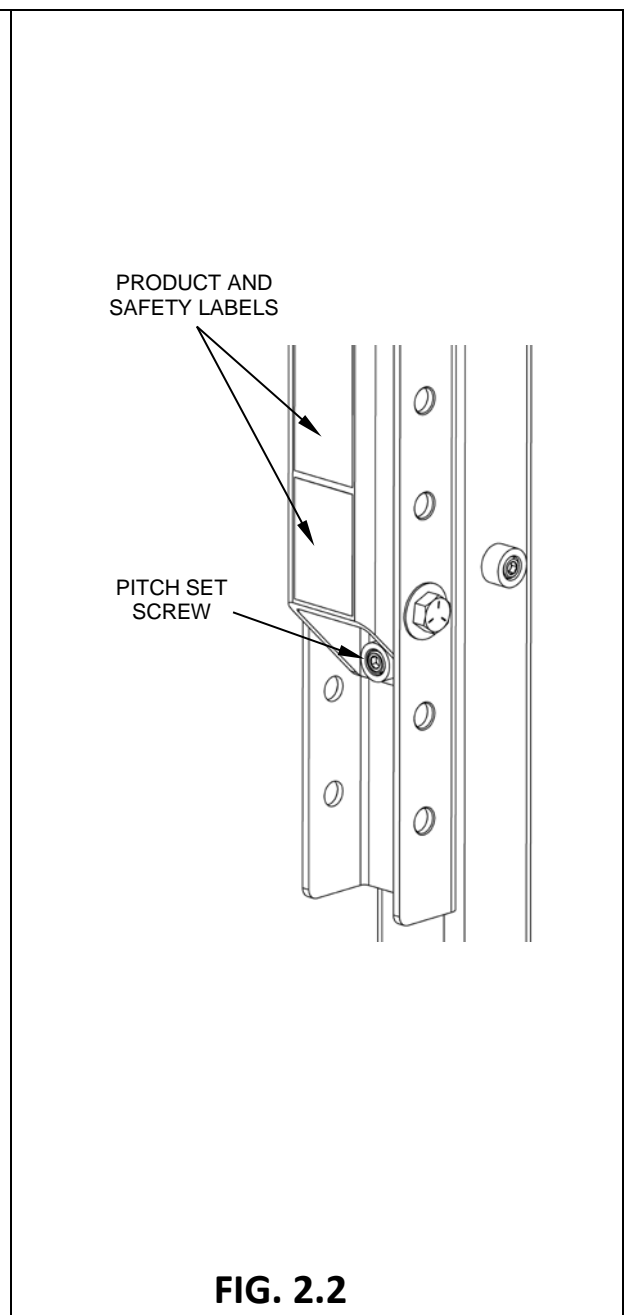
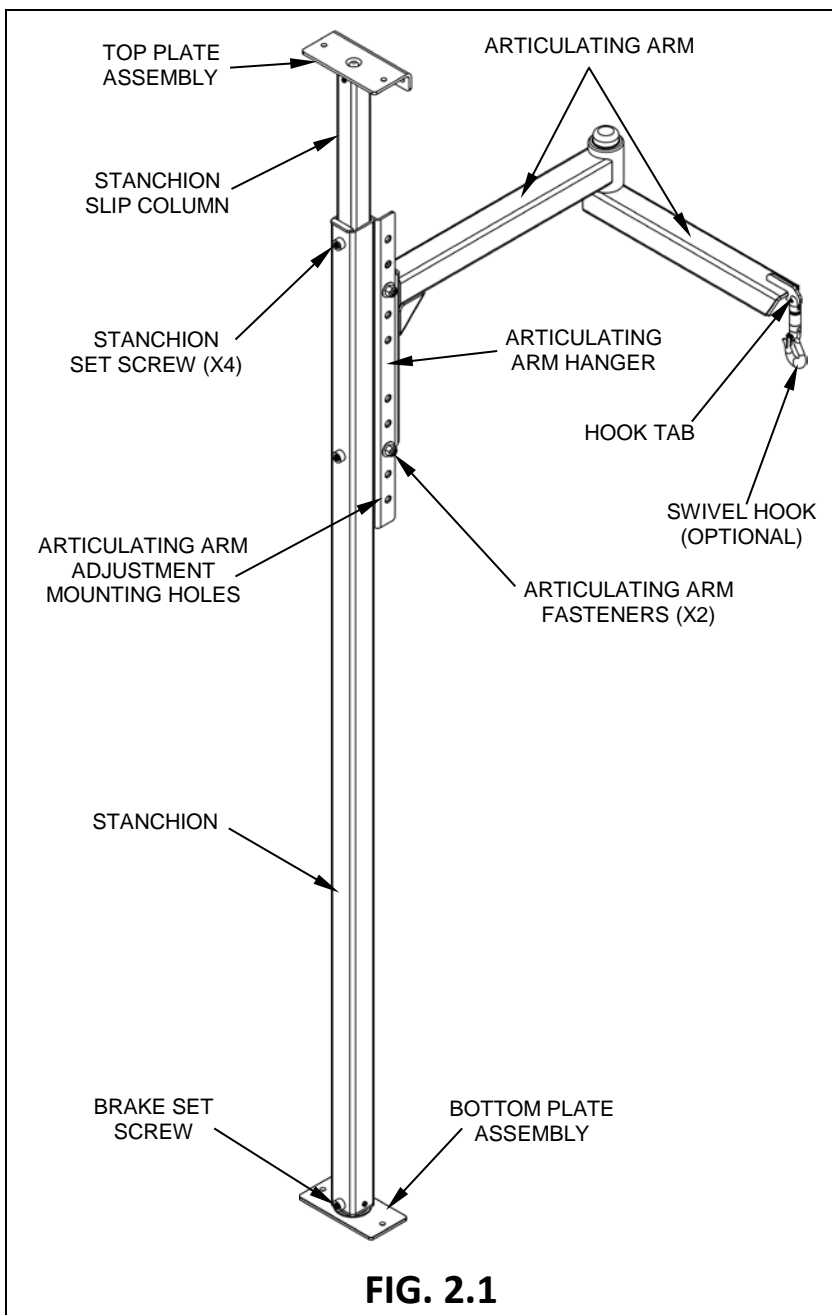
SECTION 1 - SYSTEM COMPONENTS



SECTION 2 - INSTALLATION

2.1 STANCHION

- 2.1.1 For your convenience, FIG. 2.1 and FIG. 2.2 are provided to give you an overall familiarity with the ORBIT Patient Transfer Lift.
- 👉 Images are shown with optional Swivel Hook.
- 2.1.2 Carefully remove the Stanchion from the shipping box.
- 2.1.3 Set Stanchion in mounting location then slide Stanchion Slip Column up to ceiling and or wall (FIG. 2.1).
- 👉 For ceiling/floor installation, slide Stanchion Slip Column up to ceiling. For wall/floor installation, slide Stanchion Slip Column to suitable location on wall.
 - ⚠ In all installations, the Bottom Plate Assembly must be properly mounted to the floor.
- 2.1.4 Once Stanchion is in place, tighten 4-each Stanchion Set Screws just enough to securely hold Stanchion Slip Column in place while you anchor it.
- ⚠ The ORBIT 8' to 10' is required where you need to anchor the ORBIT in a space 8' to 10' tall.
 - ⚠ The ORBIT 8' to 12' is required where you need to anchor the ORBIT in a space 8' to 12' tall.
 - 👉 The 8' to 12' will work in an 8' to 10' situation but the most cost effective method is to use the ORBIT 8' to 10' for ceiling heights up to 10' tall.



- 2.1.5 Using a 3' or 4' level, or equivalent, ensure Stanchion is level and plumb (FIG. 2.3).
- 2.1.6 Once Stanchion is level and plumb, anchor the Bottom Plate.
 - ✎ The Bottom Plate is anchored at 2 anchor points (FIG. 2.4).
- 2.1.7 Anchor Top Plate with two of the four anchor holes provided (FIG. 2.4).
 - 2.1.7.1 When anchoring to the ceiling, use the two ceiling anchor holes on top of the Top Plate.
 - 2.1.7.2 When anchoring to a wall, use the two wall anchor holes.
 - ✎ When anchoring to the wall, you will only be able to rotate the Stanchion 180-degrees.
 - ✎ When mounting to a wall observe and avoid obstructions such as trim, base heat registers, pictures, etc.
 - ⚠ An improperly anchored ORBIT can be an extreme hazard. The installer must decide which anchoring hardware and method is best for your circumstances.
 - ⚠ Professional installation by a contractor is recommended.
- 2.1.8 Once floor and ceiling and or wall mounting is complete, torque all 4 Stanchion Set Screws (FIG 2.1) to 55 ft./lbs.

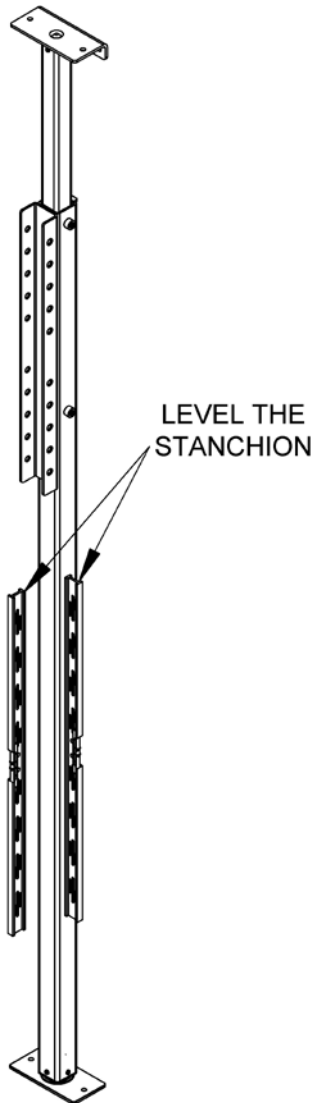


FIG. 2.3

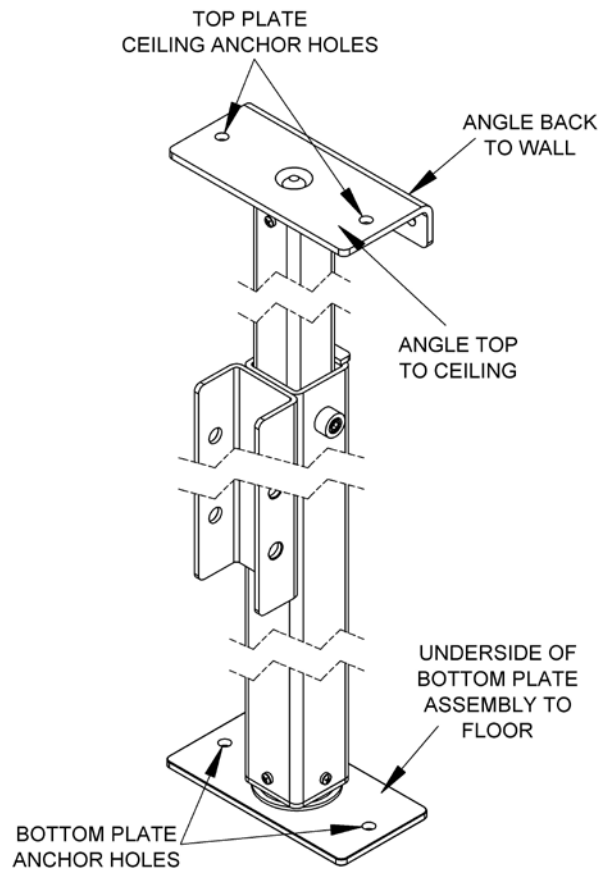


FIG. 2.4

2.2 ARTICULATING ARM

2.2.1 Carefully remove the Articulating Arm (FIG. 2.5) from its shipping box.

⚠ Before using any ancillary equipment with the ORBIT, refer to your ancillary equipment's Owner Guide for proper use. Never exceed ancillary equipment's manufacturer recommendations.

⚠ DO NOT exceed the ORBIT Rated Load of 440 lbs.

2.2.2 Determine the working height for the Articulating Arm.

✎ The Articulating Arm Hanger (FIG. 2.1 and FIG. 2.6) features 3 adjustable height positions for the Articulating Arm, allowing the flexibility to set vertical clearance as needed.

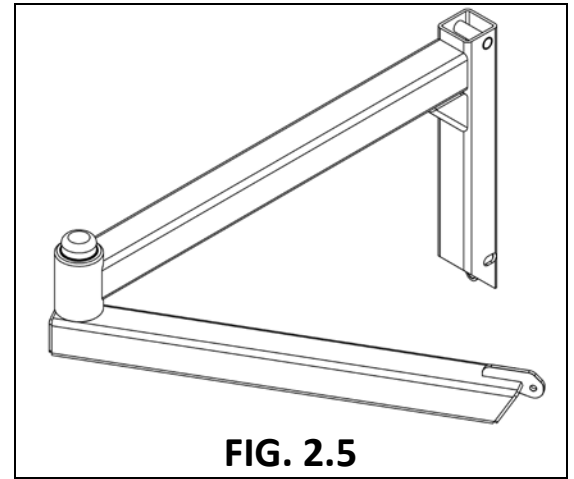


FIG. 2.5

2.2.3 The Articulating Arm fits inside the Articulating Arm Hanger (FIG. 2.6) and is bolted in place. After determining the working height of the Articulating Arm, secure the Articulating Arm into 2 of the pre-drilled mounting holes using the following supplied hardware:

- 2 ea. 1/2"-13 X 3.5" Cap Screws
- 2 ea. 1/2"-13 Nuts
- 4 ea. 1/2" Washers (one each on nut side and bolt side)

2.2.4 After installing the supplied hardware, torque each nut to 15 ft./lbs.

⚠ The next steps explain pitch adjustment for the Articulating Arm. Until pitch is set and level, the Articulating arm may free swing. It is important to use caution and level the pitch immediately.

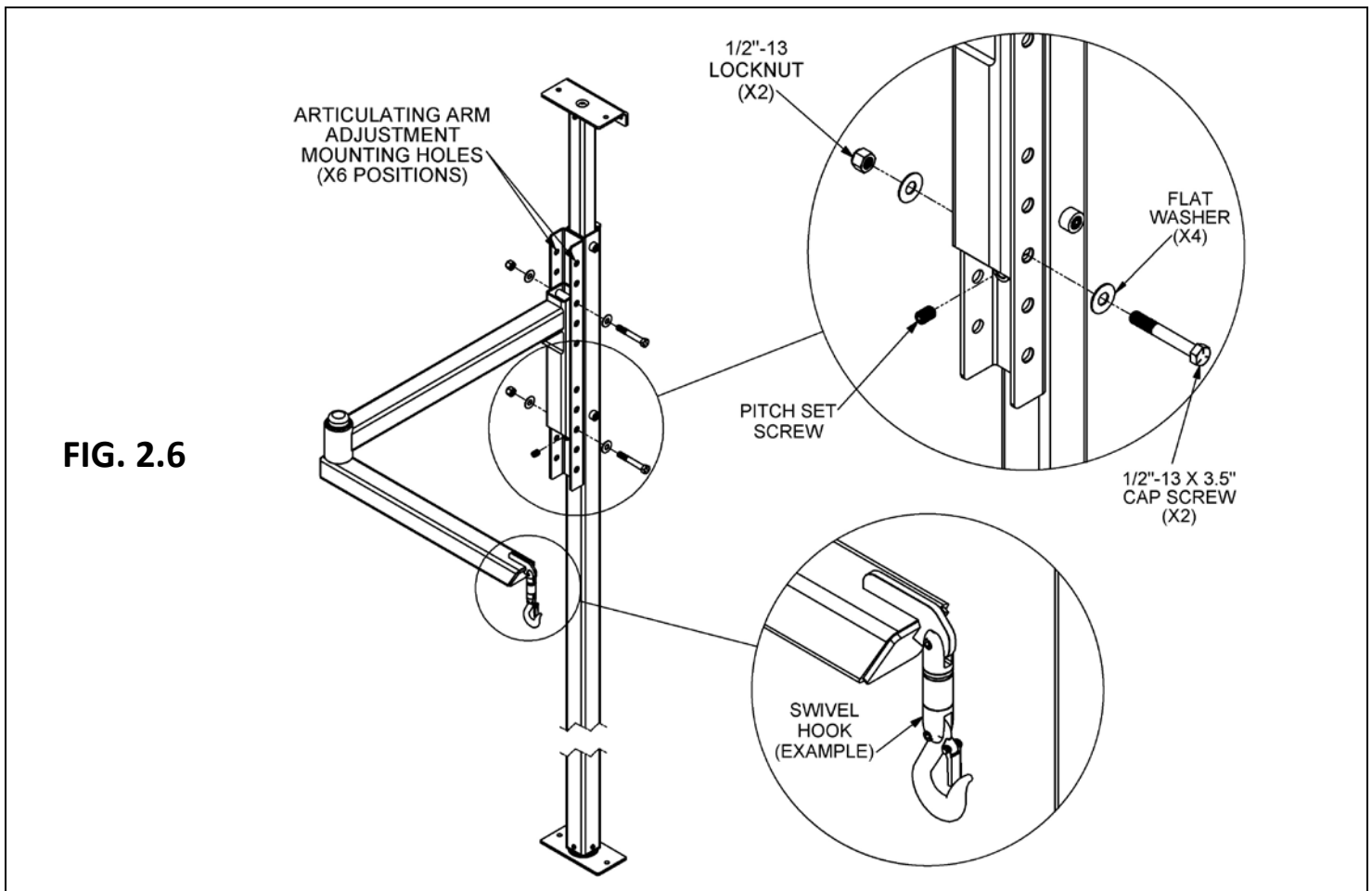


FIG. 2.6

2.3 SET & ADJUST PITCH

2.3.1 Pitch is the up and down movement of the Articulating Arm (FIG. 2.7). After determining the total weight load (the combined weight of your lifting equipment plus the individual) you may need to adjust the pitch.

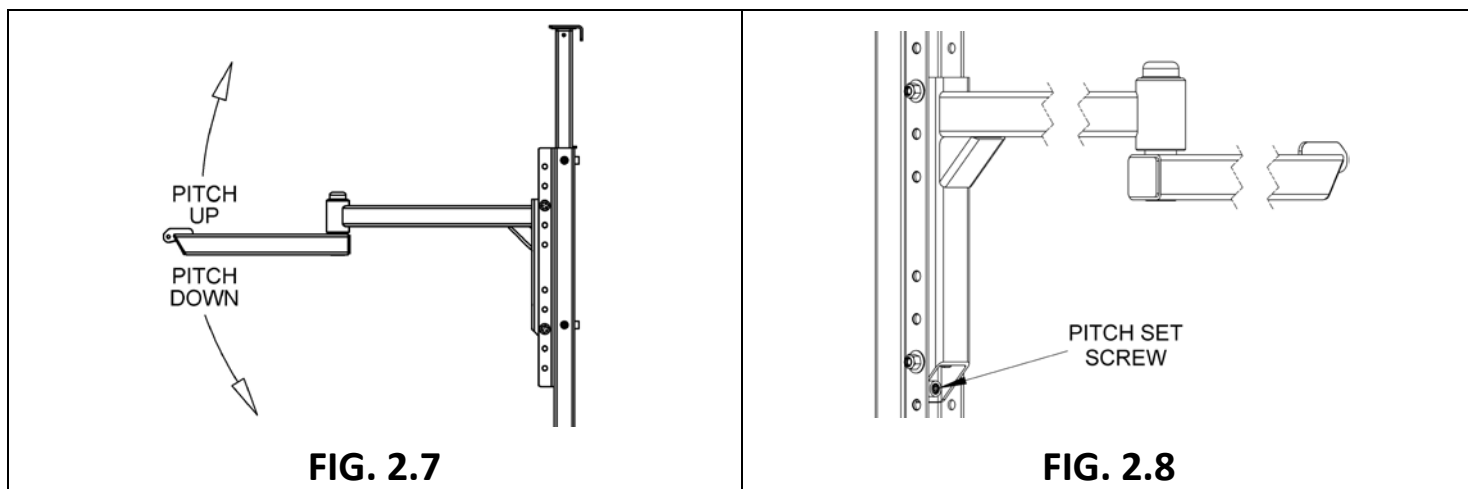
⚠ Pitch adjustment is required for smooth ORBIT operation and may need to be adjusted for each individual load.

2.3.2 Level the Articulating Arm (with Torpedo Level) by adjusting the 1/2" Pitch Set Screw (FIG. 2.2, FIG. 2.6, and FIG. 2.8).

⚠ An unlevelled pitch may result in the Articulating Arm being able to free swing. Please use caution and ensure that the pitch is level at all times.

2.3.2.1 Pitch down (lower) (FIG. 2.7) the Articulating Arm lifting end by turning the 1/2" Pitch Set Screw (FIG. 2.8) counter-clockwise.

2.3.2.2 Pitch up (raise) (FIG. 2.7) the Articulating Arm lifting end by turning the 1/2" Pitch Set Screw (FIG. 2.8) clockwise.



2.4 SET & ADJUST BRAKE

2.4.1 The 1/2" Brake Set Screw (FIG. 2.1, FIG. 2.6, and FIG. 2.7) increases/decreases Stanchion rotational drag.

👉 "Drag" is the resistance of the Stanchion to the pushing and pulling of the ORBIT operator. Drag is used to provide the operator more control over Stanchion rotation; the Stanchion rotation will follow the Articulating Arm's lead.

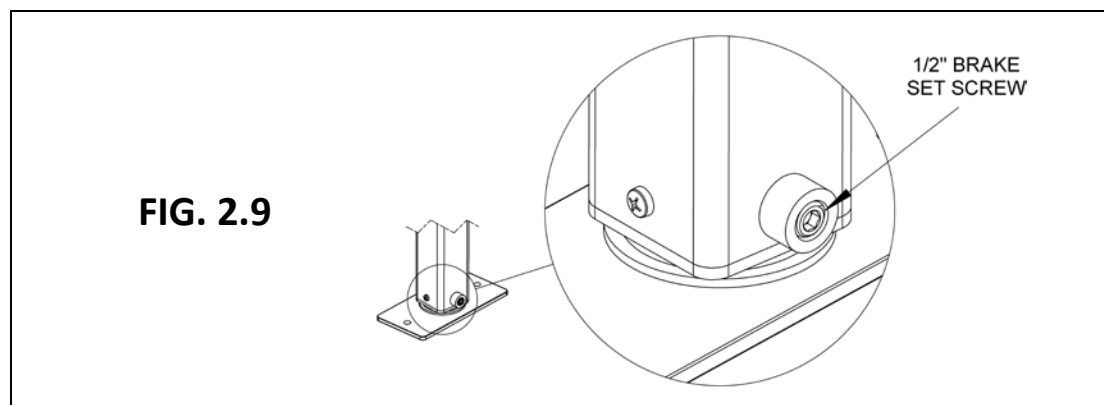
2.4.2 To increase Stanchion drag, turn the 1/2" Brake Set Screw (FIG. 2.9) clockwise (inward).

2.4.3 To reduce Stanchion drag, turn the 1/2" Brake Set Screw (FIG. 2.9) counter-clockwise (outward).

⚠ The patient is moved by pushing/pulling the motor or sling; do not allow patient or operator to physically touch the Stanchion or the Articulating Arm during operation.

👉 The key to easy ORBIT use is to lead with the outside Articulating Arm and drag the Stanchion with your motion.

👉 Practice and accurate adjustment are important for safe and proper ORBIT operation.



SECTION 3 – SWIVEL HOOK INSTALLATION

- 3.1 The Swivel Hook is sold separately and must be ordered if needed.
- 3.2 Using a 5/32" Allen Wrench, remove the Threaded Pin and then slide the Swivel Hook over the Hook Tab (FIG. 2.1, FIG. 2.6, and FIG. 3.1). Reinstall the Threaded Pin and tighten.

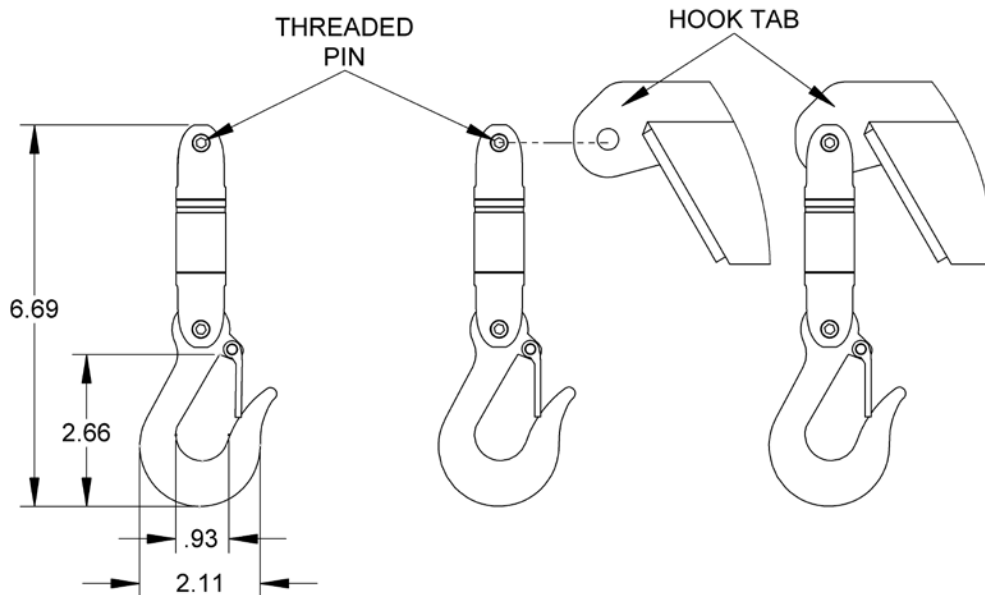


FIG. 3.1

SECTION 4 - FINAL CHECKS and PERIODIC MAINTENANCE

- 4.1 Test the full range of ORBIT motion and ensure that no potentially dangerous conditions exist.
- 4.2 Ensure that all fasteners are in place and secure.
- 4.3 Before performing any transfer, ensure clear space is maintained around the ORBIT. Remove all furniture and other obstructions.
- 4.4 Clean using a damp cloth or soft brush with soap and water. Avoid caustic, high alkaline detergents and solutions.

SECTION 5 - RECYCLING and DISPOSAL



EZ-ACCESS®, a division of Homecare Products, Inc., views recycling as essential to reducing waste and promoting a healthier global environment. Recycling provides a way for each of us to contribute in helping turn waste into more useful products. Below are some general recycling guidelines; please contact your local waste management company for additional information on recycle locations and proper recycling instructions.

- **Batteries:** Batteries, which are lead-acid, may be disposed of in a manner similar to vehicle batteries.
- **Plastic and Steel:** Plastic and steel may be wiped clean and disinfected before recycling.
- **Electronics:** Most electronics can be recycled. Your local waste management company can provide additional information and proper disposal instructions.
- **Cardboard:** Non-contaminated cardboard is recyclable. Though cardboard is also naturally biodegradable, it is always a good idea to put it in the recycling bin.

Thank you for choosing EZ-ACCESS[®]
for your accessibility needs.



We'd love to hear from you!
1-800-451-1903

www.ezaccess.com



Manufactured in the USA

5-YEAR WARRANTY. Please register at www.ezaccess.com/warranty-satisfaction.
© EZ-ACCESS[®], a division of Homecare Products, Inc. *All rights reserved.*
All text and images contained in this document are proprietary and may not be shared, modified,
distributed, reproduced, or reused without the express written permission of EZ-ACCESS.

Patent Pending.
17534 REV 06-14-18.DOCX

