



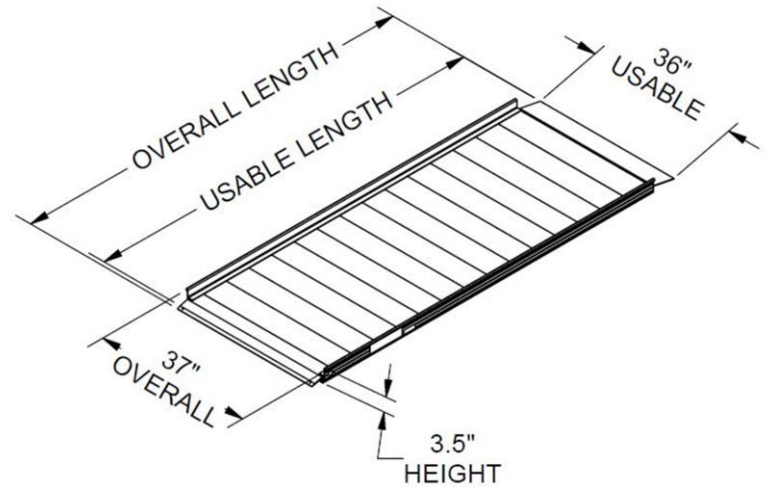
# GATEWAY™

## Solid Surface Portable Ramp

### Technical Specifications

#### OVERALL

Material	: Aluminum
Slip-resistant Surface	: Extruded
Weight Capacity	: 850 lbs.
Warranty Term	: Lifetime Limited
Use	: Wheelchairs & Scooters



#### GATEWAY 3-FT RAMP

Model No.	: GATEWAY03
Usable Size (L x W x H)	: 3' x 36" x 3.5"
Overall Size (L x W x H)	: 3' x 37" x 3.5"
Weight*	: 23 lbs.
Usage Guidelines (Rise)**	: Up to 4"

#### GATEWAY 4-FT RAMP

Model No.	: GATEWAY04
Usable Size (L x W x H)	: 4' x 36" x 3.5"
Overall Size (L x W x H)	: 4' x 37" x 3.5"
Weight*	: 30 lbs.
Usage Guidelines (Rise)**	: Up to 6"

#### GATEWAY 5-FT RAMP

Model No.	: GATEWAY05
Usable Size (L x W x H)	: 5' x 36" x 3.5"
Overall Size (L x W x H)	: 5' x 37" x 3.5"
Weight*	: 35 lbs.
Usage Guidelines (Rise)**	: Up to 7"

#### GATEWAY 6-FT RAMP

Model No.	: GATEWAY06
Usable Size (L x W x H)	: 6' x 36" x 3.5"
Overall Size (L x W x H)	: 6' x 37" x 3.5"
Weight*	: 42 lbs.
Usage Guidelines (Rise)**	: Up to 9"

#### GATEWAY 7-FT RAMP

Model No.	: GATEWAY07
Usable Size (L x W x H)	: 7' x 36" x 3.5"
Overall Size (L x W x H)	: 7' x 37" x 3.5"
Weight*	: 47 lbs.
Usage Guidelines (Rise)**	: Up to 10"

#### GATEWAY 8-FT RAMP

Model No.	: GATEWAY08
Usable Size (L x W x H)	: 8' x 36" x 3.5"
Overall Size (L x W x H)	: 8' x 37" x 3.5"
Weight*	: 54 lbs.
Usage Guidelines (Rise)**	: Up to 12"

#### GATEWAY 9-FT RAMP

Model No.	: GATEWAY09
Usable Size (L x W x H)	: 9' x 36" x 3.5"
Overall Size (L x W x H)	: 9' x 37" x 3.5"
Weight*	: 59 lbs.
Usage Guidelines (Rise)**	: Up to 13"

#### GATEWAY 10-FT RAMP

Model No.	: GATEWAY10
Usable Size (L x W x H)	: 10' x 36" x 3.5"
Overall Size (L x W x H)	: 10' x 37" x 3.5"
Weight*	: 66 lbs.
Usage Guidelines (Rise)**	: Up to 15"

\* Weights and dimensions are approximate and subject to change.

\*\* Consult your equipment's owner guide for proper degree of incline. Never exceed its recommendations.