

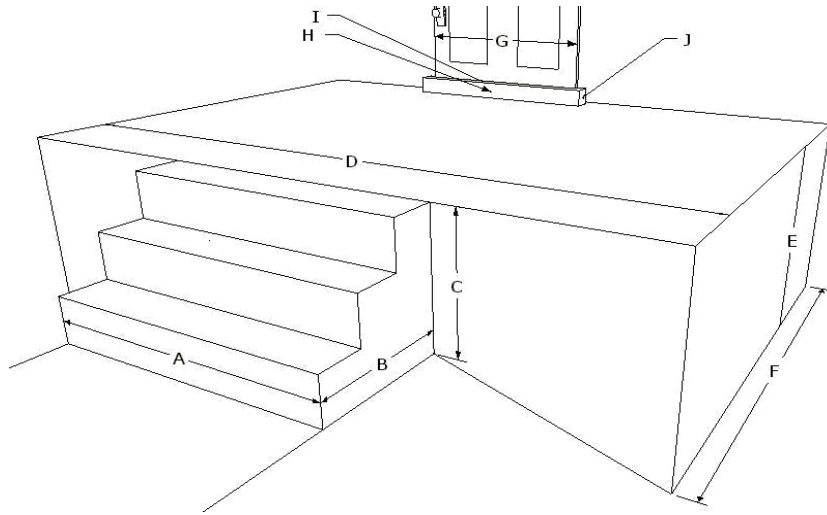
Environmental Survey

Vertical Platform Lift (VPL) Requirements Worksheet



Account Number		Quote Number	
Customer Name		Today's Date	
Site Address	City	State	Zip

Measurements



- Width of Steps (or between handrails, if applicable) A = _____
- Depth of Steps B = _____
- Rise of Steps C = _____
- Width of Porch (if differs from steps) D = _____
- Rise of Porch (if differs from steps) E = _____
- Depth of Porch F = _____
- Width of Door (usable space) G = _____
- Rise of Exterior Threshold
Threshold ramp needed H = _____
- Rise of Interior Threshold
Threshold ramp needed I = _____
- Depth of Threshold J = _____

Desired Location of VPL: _____

Distance from designated location of VPL to nearest GFI outlet (max. 10' away from VPL – do not forget to test outlet): _____

Straight Platform Turn Platform Concrete Pad (min. size: Straight: 80" x 56" x 4" & Turn: 89" x 56" x 4")

Total Rise: _____ Lifting Height Needed: 44" 52" 72" 120" 144" 168"

As you face outside, the door opens: In Out Left Right

Fascia Panel Needed (not offered/provided by EZ-ACCESS): Length: _____ Height: _____

Platform Needed (WxD): 4'x5' 5'x5' 5'x6' 6'x6' 8'x5' Bridge Plate Needed: 36" 48" 60"

Steps Needed: 8"-14" 15"-21" 22"-28" 29"-35" 36"-42" 43"-49" 50"-56" Custom _____

Additional Measurements & Requirements for 120", 144", and 168" VPLs

A Platform Gate is included on 120", 144", and 168" VPLs (verify 38.6" is available for gate swing clearance).

Bracing is required for 120", 144", and 168" VPLs (verify a supporting structure such as a wall is available for bracing the VPL tower).

Where is the structure in relation to VPL? (location determines type of bracing needed)

Back of Tower Side of Tower

Distance from structure:

Side Brace Reach (Straight: Minimum 13.4", Maximum 16.9"): _____

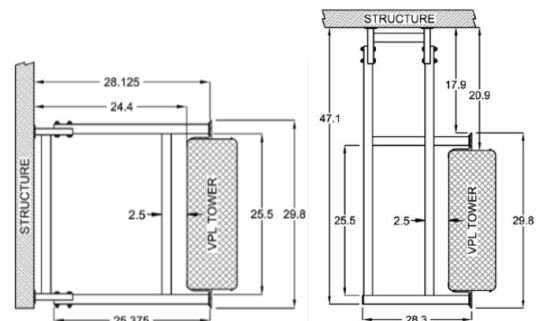
Side Brace Reach (Turn: Minimum 17.9", Maximum 20.9"): _____

Back Brace Reach (Straight & Turn: Minimum 21.4", Maximum 24.4"): _____

120" VPL requires one brace (height range: 116" to 126")

144" VPL requires two braces (height ranges lower: 90" to 102", upper: 140" to 150")

168" VPL requires two braces (height ranges lower: 90" to 102", upper: 164" to 174")



Options

Top Landing Gate (includes Interlock; used to control access between VPL and upper landing, porch, or deck - verify 51" is available for gate swing clearance)

Left Hinge Right Hinge
(while standing on lift, facing gate location)

Gate connecting to:
 Wood Deck EZ-ACCESS Aluminum Platform Other Surface

Platform Gate (although standard on 120", 144", and 168" lifts, this three-line gate can be added as an option to 44", 52", and 72" lifts)

Interlock for Existing Door (safety device intended to prevent an existing door from being opened when the lift is in the down position)

Corded Call/send Control (offers ability to call VPL up/down from multiple stations – verify mount location is within 10' of VPL)

Standard cord length (use on upper and lower locations with VPL sizes up to 72")
 Long cord length (use on upper location with VPL sizes 120" through 168"; use standard cord length for lower location)

Wireless Remote Control (offers ability to operate the VPL from nearby locations; additional fobs are available)

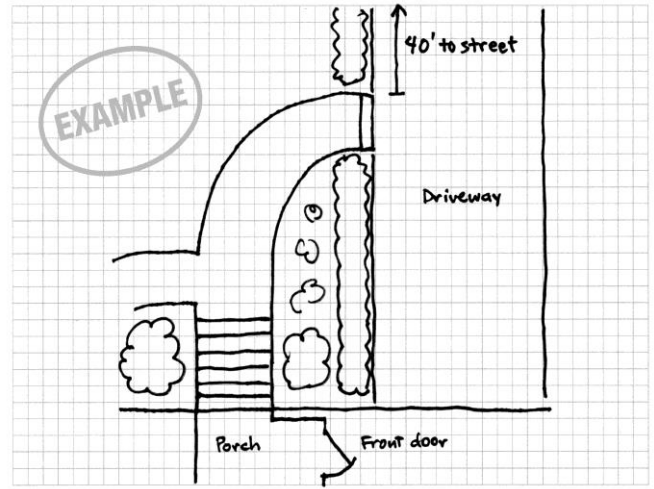
Platform Safety Rail (provides additional stability while standing on the platform)

Weather Guard (helps protect the base of the VPL from the outdoor elements and keeps the Safety Pan free of debris)



Directions: Please sketch an aerial (bird's-eye) view of the vertical platform lift location. Be sure to consider:

- Obstacles such as driveway, walkways, trees, shrubs, etc.
- Which way the door opens (left, right, in, out).
- Square footage of the top landing, nearest the door.



Scale: 1 square = 1 foot

A large, empty grid area provided for the user to sketch an aerial view of the vertical platform lift location. The grid is composed of small squares, each representing 1 foot by 1 foot.