



TILT® Toilet Incline Lift Technical Specifications

TECHNICAL INFO

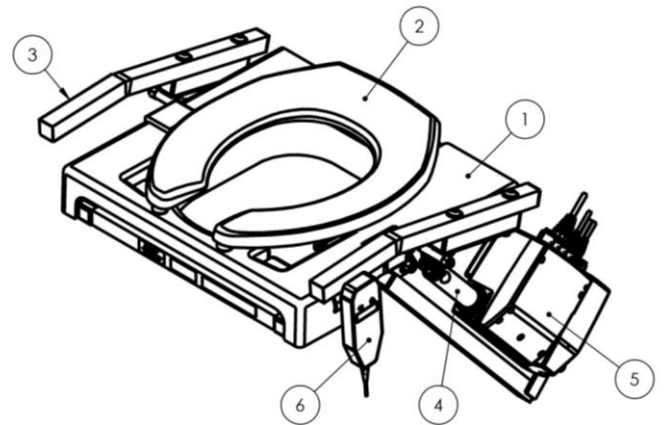
APPLICATION:	Residential
OPERATION:	Unit lifts & lowers users to and from commode
U.S. PATENT:	6,385,797
MOUNTING:	Bolted directly to bowl
WEIGHT CAPACITY:	325 lbs.
ACTIVATION:	Wired, push button control with 9-foot coil cord
REQUIRED POWER:	120VAC 60Hz
ELECTRICAL:	10-foot power cord
MOTOR:	24VDC
CYCLE TIME:	Approximately 15 – 20 seconds to lift/lower
DUTY CYCLE:	10%, Max. 2min./18 min.
DIMENSIONS:	24" W x 18" H x 24" D (approx.)
WEIGHT:	34 lbs.
FRAME MATERIAL/FINISH:	Powder coated steel
WARRANTY:	2-Year Limited. Visit www.ezaccess.com for complete warranty details.
RETURNS:	For hygienic reasons, this item is non-returnable

TOILET SEAT

STYLE:	Round, open front	Elongated, open front
SEAT MATERIAL/COLOR:	Injection molded plastic/white	Injection molded plastic/white
BUMPERS:	Two	Four
HINGES:	Plastic, non-self-sustaining	Plastic, non-self-sustaining
POSTS & PINTLES:	Non-corrosive 300 series stainless steel	Non-corrosive 300 series stainless steel

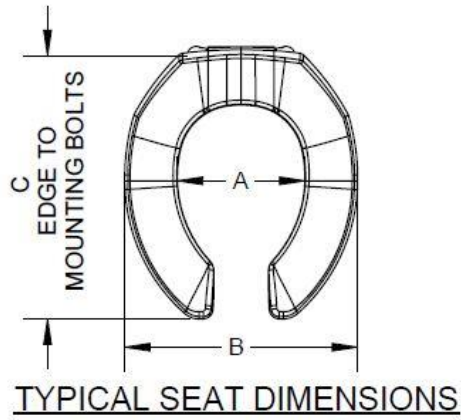
Weights and dimensions are intended for reference only. They are approximate and subject to change. Please consult EZ-ACCESS for certified drawings. Refer to instruction manual for complete information on rated load and proper usage.

REFERENCE	DESCRIPTION
1	PLASTIC SHIELD - REMOVABLE
2	TOILET SEAT – STANDARD SEAT SHOWN
3	HANDLES WITH FOAM GRIP
4	LINEAR ACTUATOR – MOUNTED TO TILT FRAME
5	120V AC CONTROL BOX
6	PUSH BUTTON CONTROL – HANDHELD DEVICE

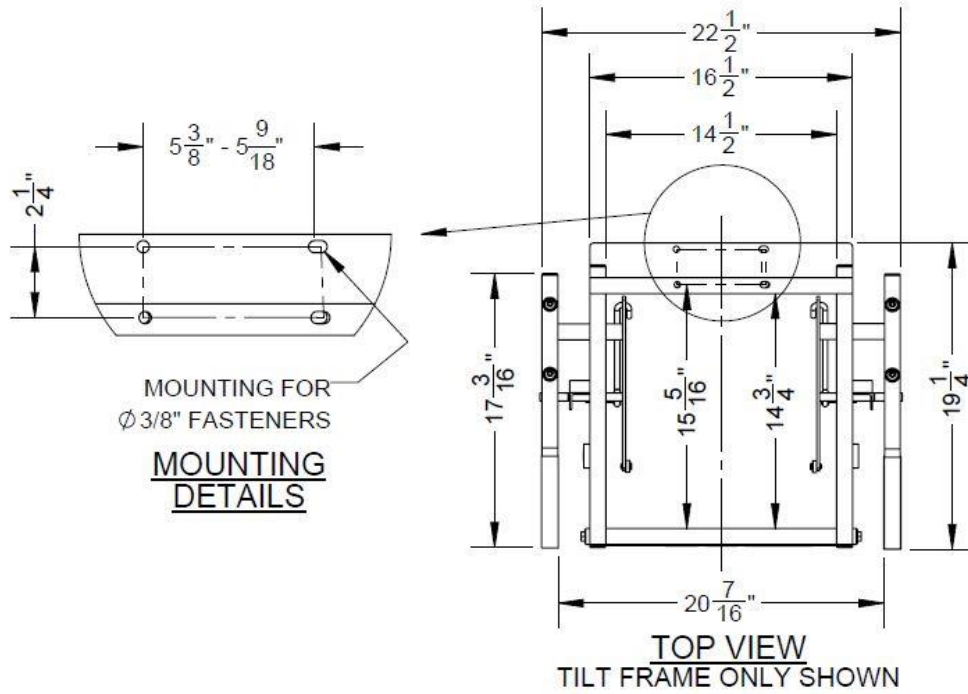




TILT® Toilet Incline Lift Technical Specifications

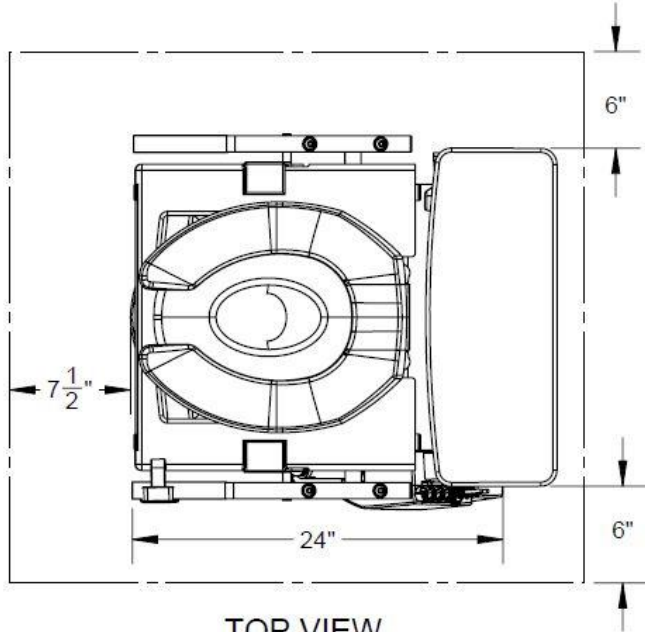


	Standard Seat	Elongated Seat
A	7 3/4"	7 13/16"
B	14 1/4"	14 1/4"
C	16 3/16"	18 3/8"

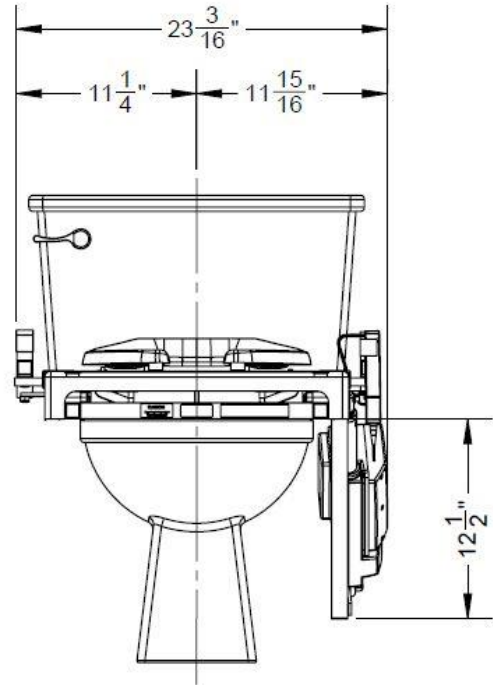




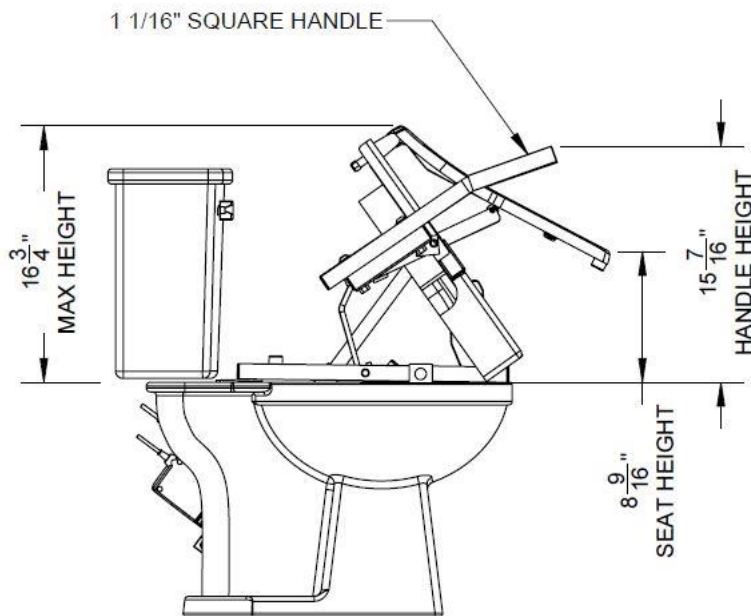
TILT® Toilet Incline Lift Technical Specifications



TOP VIEW
NECESSARY CLEARANCE
FOR OPERATION



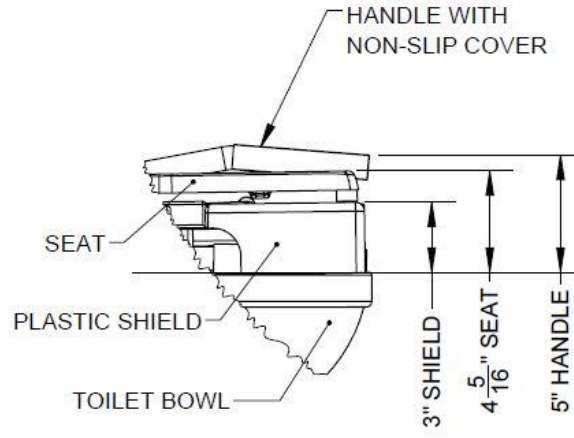
FRONT VIEW
RETRACTED POSITION



LEFT SIDE VIEW
DIMENSIONS SHOWN FROM TOP OF BOWL



TILT® Toilet Incline Lift Technical Specifications



CLOSE UP VIEW
DIMENSIONS SHOWN FROM TOP OF BOWL
TILT IN LOWER POSITION