



# PASSPORT® Vertical Platform Lift

## Technical Specifications

<b>MODEL #:</b>	PL52SP3651	PL52TP3860	PL72SP3651	PL72TP3860
<b>TOWER WEIGHT:</b>	216 lbs (98 kg)	216 lbs (98 kg)	247 lbs (112 kg)	247 lbs (112 kg)
<b>PLATFORM WEIGHT:</b>	168 lbs (76 kg)	160 lbs (73 kg)	168 lbs (76 kg)	160 lbs (73 kg)
<b>NET WEIGHT:</b>	384 lbs (175 kg)	376 lbs (171 kg)	415 lbs (189 kg)	407 lbs (185 kg)
<b>TOWER HEIGHT WITH LEGS:</b>	76-1/8" (1931 mm)	76-1/8" (1931 mm)	96-1/8" (2439 mm)	96-1/8" (2439 mm)
<b>TOWER WIDTH WITH LEGS:</b>	33-3/8" (84 cm)	33-3/8" (84 cm)	33-3/8" (84 cm)	33-3/8" (84 cm)
<b>HEIGHT AT MAXIMUM TRAVEL:</b>	97-9/16" (2464 mm)	97-9/16" (2464 mm)	117.75" (2997 mm)	117.75" (2997 mm)
<b>PLATFORM "USEABLE" SIZE:</b>	50.75" x 36" (1289 mm x 914 mm)	59.75" x 38" (1518 mm x 914 mm)	50.75" x 36" (1289 mm x 914 mm)	59.75" x 38" (1518 mm x 914 mm)
<b>FOOTPRINT (RAMP DEPLOYED): SEE "DIMENSIONS" SECTION ALSO</b>	76" X 52" (1930 mm x 1320 mm)	85" X 52" (2159 mm x 1320 mm)	76" X 52" (1930 mm x 1320 mm)	85" X 52" (2159 mm x 1320 mm)
<b>LIFTING HEIGHT:</b>	52" (1231 mm) landing-to-landing	52" (1231 mm) landing-to-landing	72" (1828.8 mm) landing-to-landing	72" (1828.8 mm) landing-to-landing
<b>WARRANTY:</b>	2-Year Limited. Visit <a href="http://www.ezaccess.com">www.ezaccess.com</a> for complete warranty details.			

NOTE: Weights and dimensions are approximate and subject to change.

<b>PERFORMANCE STANDARDS:</b>	B44.1 / ASME A17.5, ASME 18.1-2008 (Sec 5)
<b>MAXIMUM RATED LOAD:</b>	750 lbs. (340 kg)
<b>NUMBER OF PASSENGERS:</b>	Two (one occupant with mobility device, plus one caregiver). Not to exceed <i>Maximum Rated Load</i>
<b>MAIN DRIVE ELECTRICAL:</b>	24 VDC supplied by two 12 VDC-12 Ah sealed lead-acid batteries, 2 amp smart charger
<b>CONTROL CIRCUIT ELECTRICAL:</b>	12 VDC
<b>AC INPUT:</b>	120 VAC, .6 amps
<b>AC POWER CORD LENGTH:</b>	12-ft. (3.7 m)
<b>PRIMARY DRIVE:</b>	24 VDC worm drive; .58 hp; 28:1 reduction ratio; 96 rpm output speed rating
<b>FINAL DRIVE:</b>	1" diameter Hi-lead® drive screw with bronze nut and bronze safety back-up nut
<b>DRIVE MOTOR CONTROL:</b>	24 VDC reversing relay, 12 VDC control input, 30-amp auto reset circuit breaker
<b>BRAKING:</b>	Worm drive gear motor
<b>STANDARD INTERFACE CONTROLS:</b>	12 VDC; separate, continuous, low pressure large mushroom-head control switches for "UP/DOWN" operation; onboard LED indicator lights, including diagnostics for quick and easy reference; user adjustable control box; keyed operation
<b>EMERGENCY STOP:</b>	Red, sealed, 1.5" diameter mushroom-head, push button
<b>PLATFORM TRAVEL SPEED:</b>	10 ft/min
<b>NUMBER OF STOPS/LANDINGS:</b>	Two stops (upper and lower landings)
<b>TOWER CONSTRUCTION:</b>	Welded aluminum extrusion with powder coated structural steel base legs
<b>CARRIAGE CONSTRUCTION:</b>	Welded aluminum, 1.9" (48.3 mm) MDS nylon 6/6 rollers, and UHMW polyethylene low friction buffers
<b>PLATFORM CONSTRUCTION:</b>	Welded aluminum, totally enclosed, removable aluminum framed side enclosures with coated steel filler panels
<b>UNDER PLATFORM SAFETY:</b>	Formed aluminum safety pan with obstruction detector, designed to stop lift upon contact with an obstacle. Takes less than 15 lbs. (6.8 kg) of pressure to activate safety pan stop
<b>GUARD RAMP:</b>	Self-actuating 24" (610 mm)
<b>EMERGENCY LOWERING:</b>	Manual hand-crank lowering capability
<b>LIMIT SWITCHES:</b>	Upper and lower primary and secondary limit switch triggering locations are adjustable via movable cams
<b>WEIGHT OF TOP LANDING GATE:</b>	50 lbs. (23 kg)
<b>FLOOR ATTACHMENT:</b>	Anchor-ready powder coated structural steel legs (concrete anchors not included)
<b>MOUNTING SURFACE RECOMMENDED:</b>	A level, ≥ 3,500 psi concrete pad with a 4" minimum thickness
<b>DRIVE SCREW LUBRICATION:</b>	Chevron Ulti-plex® Synthetic Grease EP, NLGI Grade 1.5 (or equivalent)

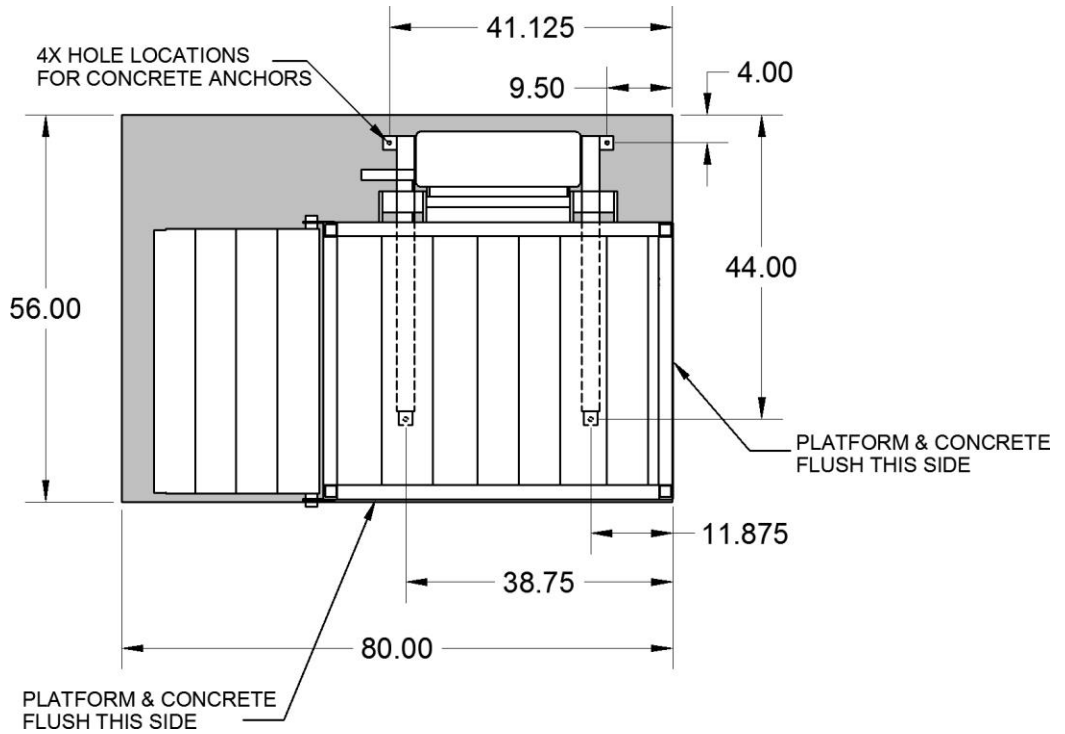
# CONCRETE PAD SPECIFICATIONS

**NOTE:** The pad dimensions in FIG. 2 can be used as a universal pad (it will work for the PL52SP3651, PL72SP3651, PL52TP3860 and PL72TP3860 VPL lifts). This is an important consideration should you decide to change to a turn platform in the future.

## DIMENSIONS

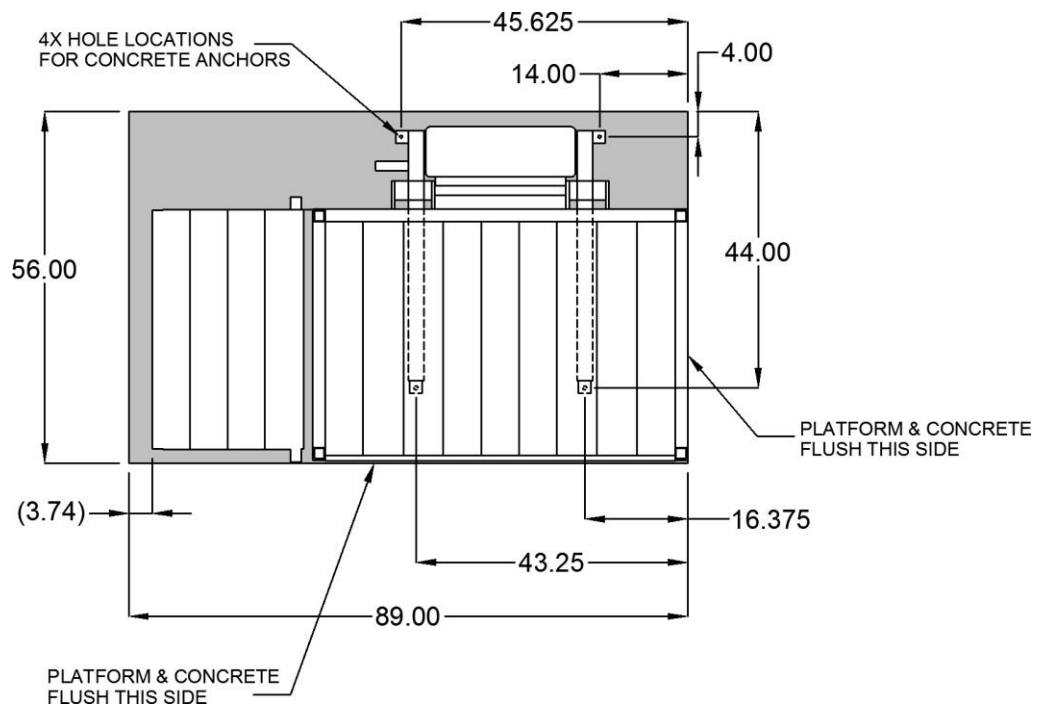
### CONCRETE PAD DIMENSIONS (INCHES) FOR: PL52SP3651 AND PL72SP3651

**FIG. 1**



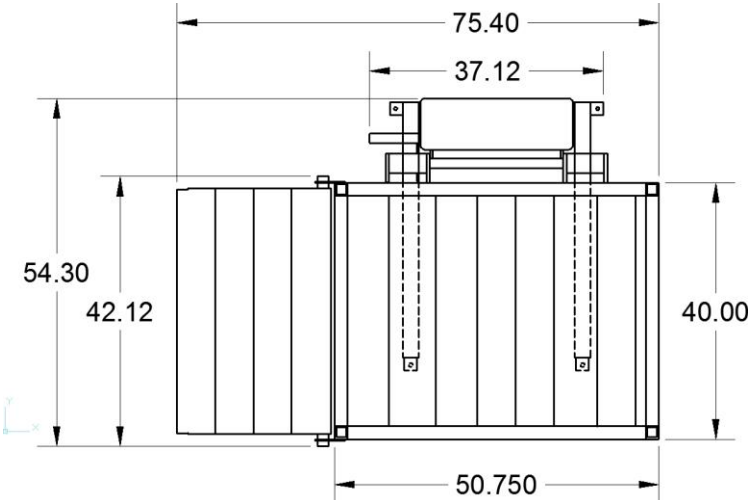
### CONCRETE PAD DIMENSIONS (INCHES) FOR: PL52TP3860 and PL72TP3860

**FIG. 2**



OVERALL VPL DIMENSIONS (INCHES) FOR: PL52SP3651 AND PL72SP3651

FIG. 3



OVERALL VPL DIMENSIONS (INCHES) FOR: PL52TP3860 and PL72TP3860

FIG. 4

